


**INSTRUCTIONS FOR INSTALLATION AND USE
MONTAGE- UND GEBRAUCHSANWEISUNG
INSTRUCTIONS POUR L'INSTALLATION ET L'UTILISATION
ISTRUZIONI PER L'INSTALLAZIONE E L'USO
INSTRUCCIONES PARA INSTALACIÓN Y USO
INSTRUÇÕES DE INSTALAÇÃO Y UTILIZAÇÃO
AANWIJZING VOOR GEBRUIK EN INSTALLATIE**



DESCRIPTION

The hood may be in the filtering or the ducting version.

Filtering version (Fig. 1): The hood aspirates the kitchen air saturated with fumes and odours, purifies it through the grease filters and charcoal filters and returns clean air into the room. For constant efficiency, the charcoal filters must be replaced periodically. The charcoal filters are not supplied.

Ducting version (Fig. 2): The hood aspirates the kitchen air saturated with fumes and odours, passes it through the grease filters and expels it to the outside through an outlet pipe. With this version the charcoal filters are not required. Decide from the outset on the type of installation (filtering or ducting). For greater efficiency, we recommend you install the hood in the ducting version (if possible).

Warning: Failure to install the screws or fixing device in accordance with these instructions may result in electrical hazards.

INSTALLATION

ATTENTION: Two persons are required for proper installation; the unit should be installed by a qualified operator. Remove the grease filters before proceeding with the assembly instructions. This will make the appliance easier to handle.

1. **Removal of metal grid** (only present in determined models): pull the lock and move up the metallic grille (Fig.3).

Removal of grease filter (refer to Figure 4, 5 or 6 depending on model purchased):

Fig. 4 or 5: take away the grease filter pushing down and rotating outside.

Fig. 6: open the glass panel; push the catch and turn the filter outwards.

INSTALLATION IN DUCTING VERSION: Before fixing, the outlet pipe for air evacuation to the outside must be installed. Use an outlet pipe with: – minimum indispensable length; – minimum possible bends (maximum angle of bend: 90°); – certified material (according to the State); – an as smooth as possible inside. It is also advisable to avoid any drastic changes in pipe cross-section (recommended diameter: 150 mm). For air evacuation to the outside, follow all the other instructions given on the “Warnings” sheet. Prepare the power supply within the telescopic chimney (for the electrical connection, follow all the other instructions on the “Warnings” sheet).

2. **Mount the plate of the electrical system** (depending on the model) fixing it with 2 screws and 2 metal washers (Fig. 7).

3. **Fixing to the wall:** Draw a line on the wall in vertical line with your hob. Mark the first 2 holes to be drilled in the wall, respecting the distances indicated in Fig. 8. Drill the 2 holes and fit the screw anchors provided. Bear in mind that the distance between the lower edge of the hood and the hob must be 350 mm. Fix the metal bracket (A) to the wall using the 2 holes just drilled (Fig. 9); the screws for fixing the bracket are provided. Use the 2 cut-out triangles on the bracket to position it exactly along the vertical axis of the hood. Hang the hood on the bracket (Fig. 10). Adjust the horizontal position moving the hood to the right or left so that it is aligned with the wall units. If you also need to adjust the hood in height, operate on the adjusting screws (B) provided. When adjustment has been completed, without removing the hood, mark the other 6 holes to be drilled (C) in the wall. Remove the hood and drill the holes marked (8 mm diameter). Then use the 6 screw anchors and the 6 screws provided for final fixing.

4. **Install the flange** in the device air outlet and press slightly (Fig.11).

5. **Fixing the telescopic flues:**

5a - Assemble the tube support using a 4 screws kit (Fig.12); then, by means of the screw anchors and screws (F) provided, fix the bracket to the ceiling in such a way that it is positioned along the axis with your hood (Fig.13).

5b - Connect the air outlet pipe to the air vent of the hood.

- Use a flexible pipe and lock it to the air vent of the hood with a metal hose clamp - Fig.14 (pipe and clamp are not provided).

- For exhaust hoods, turn the upper flue over so that the air exhaust grid is in the lower section (Fig.15).

5c - Plug in the hood. Insert the extension flues setting them on the hood; extend the upper flue to the ceiling and secure with the 2 screws H (Fig.16).

INSTALLATION IN FILTERING VERSION: Prepare the power supply within the telescopic flues (for the electrical connection, follow all the other instructions on the “Warnings” sheet).

Fixing to the wall: for fixing to the wall refer to the instructions for the ducting version (see points 2, 3, 4), then continue with the instructions below.

Fixing the telescopic flues:

- Assemble the tube support using a 4 screws kit (Fig.12);

- Then, by means of the screw anchors and screws (F) provided, fix the bracket to the ceiling in such a way that it is positioned along the axis with your hood (Fig.13).

- Mount the flange on the hood in correspondence to the air outlet point (Fig.17).

- Take the air baffle and fit a flexible pipe to it (125 mm diameter) locking it with a metal hose clamp (pipe and clamps are not provided). Fit the air baffle to the upper flue (Fig.18) with 4 screws.

- Connect the flexible pipe to the flange on the air vent (Fig.19).

- Plug in the hood.

- Insert the extension flues setting them on the hood; extend the upper flue to the ceiling and secure with the 2 screws H (Fig.16).
- Install the charcoal filter fitting the two filter clips in their housings (Fig.20) and turning the filter upward.

OPERATION

Depending on the model, the unit is equipped with the following controls:

CONTROLS shown in Fig.21:

- A)** Turns the LIGHTS off
- B)** Turns the LIGHTS on.
- C)** Decreases speed down to minimum speed. If pressed for 2" the motor is turned off.
- D)** Activates the motor (calling the last speed used) and increases the speed until reaching maximum..
- E)** FILTER ALARM/TIMER RESET: when pressing the key during display of the filter alarm (motor off) it resets the hour counter. When pressing the key when the motor is running, the TIMER is activated and the hood will automatically be switched off after 5 minutes.
- L1)** The 4 green LEDs indicate the running speed.
- L2)** When the LED is red (motor off) it indicates the FILTER ALARM. When the LED is green (flashing) it indicates that the TIMER has been activated with the key E.

FILTER ALARM:

After 30h of operation, the LED L2 turns RED. It indicates that the grease filters need to be cleaned.

After 120h of operation, the LED L2 turns RED and flashes; It indicates that the grease filters need to be cleaned and the charcoal filters replaced.

After cleaning the grease filters (and/or replacing the charcoal filters), restart the hour counter (RESET) by pressing the key E during display of the filter alarm.

CONTROLS shown in Fig.22:

- P1) OFF/- Lights:** Decreases light intensity down to minimum intensity. If pressed for 2 seconds, the lights are switched off.
- P2) ON/+ Lights:** Switches on the lights using the last brightness level set (prior to the last time the lights were switched off).Increases light intensity up to maximum intensity.
- P3) OFF/- Engine:** Decreases speed down to minimum speed. If pressed for 2 seconds, the engine is switched off. If pressed for 2 seconds when FILTER ALARM is active, HOUR metering is reset.
- P4) ON/+ Engine:** Switches on the engine using the speed set (prior to the last time the engine was switched off).Increases the speed of the engine up to maximum speed (NON INTENSIVE). If pressed for 2 seconds, the 5-minute Timer is activated and HIGHLIGHTED by flashing speed indication LEDs. If pressed for 2 seconds when the Timer is active, it is ELIMINATED.
- P5) INT:** Only functions with ENGINE ON. If pressed once, it activates the FIRST intensive speed; if pressed for a second times, the SECOND intensive is activated; if pressed for a THIRD time, the speed set prior to the intensive (that is one of the first 4) is set again.

L1) The 4 green LEDs indicate the running speed.

L2) **2-colour LED:** GREEN indicates the First Intensive Speed RED indicates the Second Intensive Speed.

FILTER ALARM:

After 30h of operation, the first 2 leds (L1) flash; it indicates that the grease filters need to be cleaned.

After 120h of operation, - the last 2 leds (L1) flash; It indicates that the grease filters need to be cleaned and the charcoal filters replaced. After cleaning the grease filters (and/or replacing the charcoal filters), restart the hour counter (RESET) by pressing the key P3 during display of the filter alarm.

CONTROLS of Fig.23:

- A)** Turns the lights off.
- B)** Turns the lights on.
- C)** Reduces the motor speed until reaching zero. If pressed for 2" when the Filter Alarm is active, the HOUR counter is reset.
- D)** Drives the motor (calling the last speed used) and increases the speed until reaching maximum.
- E)** Activates/deactivates the sensor (AUTOMATIC or MANUAL mode). In Automatic mode the sensor is active and the letter "A" appears on the display (L).
- L) Display:**
 - signals the running speed
 - signals Automatic mode by displaying the letter "A". When the motor speed is changed, the running speed is displayed flashing 3 times, and then the letter "A" reappears.
 - signals the filter alarm (with motor off) by displaying the central segment for 30".

FILTER ALARM: Displayed for 30" when the motor is off:

After 30h of operation the central segment lights up on the display; It indicates that the grease filters need to be cleaned.

After 120h of operation, the central segment flashes on the display; It indicates that the grease filters need to be cleaned and the charcoal filters replaced. After cleaning the grease filters (and/or replacing the charcoal filters), restart

the hour counter (RESET) by pressing the key C during display of the filter alarm.

GAS SENSOR SENSITIVITY: The sensitivity of the sensor can be modified to suit your requirements. To modify the sensitivity, the appliance must be in manual mode (i.e. the running speed and not the letter "A" must appear on the display); If not, press the key E. Modify the sensitivity by simultaneously pressing the keys D and E. The set sensitivity is indicated on the display. By means of the buttons C(-) and D(+) the desired sensitivity is set Store the "new" sensitivity by pressing the key E.

ATTENTION: TO PREVENT DAMAGING THE SENSOR, DO NOT USE SILICONE PRODUCTS NEAR THE HOOD!

CONTROLS of Fig. 24:

- A) Reduces the luminous intensity to minimum. When the key is pressed for 2" the lights go off.
- B) Switches on the lights calling the last level of luminous intensity set. Increases the luminous intensity to maximum.
- C) Reduces the motor speed until reaching minimum. If pressed for 2", the motor is switched off. If pressed for 2" when the Filter Alarm is active, the HOUR counter is reset.
- D) Drives the motor (calling the last speed used) and increases the speed until reaching maximum.
- E) Activates/deactivates the sensor (AUTOMATIC or MANUAL mode). In Automatic mode the sensor is active and the letter "A" appears on the display (L).

L) Display:

- signals the running speed.
- signals Automatic mode by displaying the letter "A". When the motor speed is changed, the running speed is displayed flashing times, and then the letter "A" reappears.
- signals the filter alarm (with motor off) by displaying the central segment for 30".

FILTER ALARM: Displayed for 30" when the motor is off:

After 30h of operation, the letter "F" appears on the display; It indicates that the grease filters need to be cleaned. After 120h of operation, the letter "F" flashes on the display; It indicates that the grease filters need to be cleaned and the charcoal filters replaced.

After cleaning the grease filters (and/or replacing the charcoal filters), restart the hour counter (RESET) by pressing the key C during display of the filter alarm.

GAS SENSOR SENSITIVITY: The sensitivity of the sensor can be modified to suit your requirements. To modify the sensitivity, the appliance must be in manual mode (i.e. the running speed and not the letter "A" must appear on the display); If not, press the key E.

Modify the sensitivity by simultaneously pressing the keys D and E. The set sensitivity is indicated on the display. By means of the buttons C(-) and D(+) the desired sensitivity is set Store the "new" sensitivity by pressing the key E.

ATTENTION: TO PREVENT DAMAGING THE SENSOR, DO NOT USE SILICONE PRODUCTS NEAR THE HOOD!

CONTROLS of Fig. 25:

A) LIGHTS on/off switch.

- 1) Activates the motor at the first speed (the icon lights-up). By pressing on the icon for about 2 seconds the motor will stop.
- 2) Activates the motor at the second speed (the icon lights-up). All of the other icons relative to the speed remain switched off.
- 3) Activates the motor at the third speed (the icon lights-up). All of the other icons relative to the speed remain switched off.
- 4) Activates the motor at the fourth speed (the icon lights-up). All of the other icons relative to the speed remain switched off.

B) Activates the TIMER (the icon lights-up). By activating the Timer (5 minutes), the motor will stop automatically after 5 minutes.

C) FILTER ALARM. After 30 working hours, the icon lights up to indicate that the grease filter/s must be cleaned.

After 120 working hours, the icon flashes to indicate that the grease filter/s must be cleaned and the charcoal filters replaced.

To re-start the hour - counter, reset by pressing on the icon while it is lit (or while it flashes).

Grease filters: special attention must be given to the grease filters which must be periodically cleaned, whenever the grease filter alarm trips. For instructions of the filter Alarm, refer to the Controls paragraph. Remove the filters as shown in para. 1 and wash with neutral detergent.

Charcoal filters: if the filtering version appliance is used, the charcoal filters will have to be periodically replaced when the charcoal filter alarm trips. For instructions on the filter Alarm, refer to the Controls paragraph. Removing the charcoal filter/s: take away the metallic grille (Fig.3) and the grease filter (Fig.4, 5 or 6). Remove the charcoal filter pushing the lock inside, rotate the filter until taking away the two small tongues from their sides (Fig.20).

Lighting: to reach the lamps you remove the metallic support tightening the two screws (Fig.26) and moving it to the right ; to replace the halogen lamps open the cover levering from the proper slots (Fig.27). Replace the lamps of the same type. CAUTION: Do not handle glass bulb with bare hands.

BESCHREIBUNG

Die Haube steht in Umluftversion und in Abluftversion zur Verfügung.

Umluftversion (Abb.1): Die Haube saugt die mit Rauch und Gerüchen gesättigte Luft an und reinigt sie durch die Fett- und die Kohlefilter. Danach wird die saubere Luft wieder in den Raum geleitet. Um die gleichmäßige Wirksamkeit der Kohlefilter zu erhalten, müssen sie regelmäßig ausgetauscht werden. Die Kohlefilter werden nicht mitgeliefert.

Abluftversion (Abb.2): Die Haube saugt die mit Rauch und Gerüchen gesättigte Luft an, leitet sie durch die Fettfilter und gibt sie über ein Abführungsrohr nach außen ab. Diese Version benötigt keinen Kohlefilter.

Entscheiden Sie sich von Anfang an für einen Installationstyp (Umluft oder Abluft). Um eine größere Wirkung zu erzielen, empfehlen wir die Installation einer Haube in Abluftversion (falls möglich).

Warnung: Die Nichtbeachtung der Schrauben oder Fixiervorrichtung in Übereinstimmung mit diesen Anweisungen nicht installieren kann zu elektrischen Gefährdungen führen.

MONTAGE DES GERÄTS

ACHTUNG: Für die Montage sind wenigstens 2 Personen erforderlich. Es wird empfohlen, die Montage von Fachkräften durchführen zu lassen. Vor Installation sind zur leichteren Handhabung des Geräts die Fettfilter zu entfernen.

1. Entfernung des Metallgitters (nur bei bestimmten Modellen): Die Haltevorrichtung ziehen, das Metallgitter nach oben verschieben (Abb. 3).

Entfernung der Fettfilter (Nehmen Sie je nach dem von Ihnen erworbenen Modell auf die Abbildung 4, 5 oder 6 Bezug):

Abb. 4 oder 5: den Fettfilter entfernen, indem er nach unten gedrückt und nach außen gedreht wird.

Abb. 6: Glasplatte öffnen; den Halter niederdrücken und den Filter nach außen drehen.

INSTALLATION DER ABLUFTVERSION: Vor der Befestigung muss das Rohr zur Abführung der Luft außen angebracht werden. Ein Abführungsrohr verwenden, das folgende Eigenschaften besitzt: - erforderliche Mindestlänge; - so wenig Kurven wie möglich (maximale Kurvenkrümmung: 90°); - zulässiges Material (Landesnormen); - Innenseite so glatt wie möglich. Es wird außerdem empfohlen, starke Wechsel des Rohrdurchmessers zu vermeiden (empfohlener Durchmesser: 150 mm). Für die Luftabführung nach außen alle weiteren Angaben im Blatt "Hinweise" befolgen. Die Stromzufuhr innerhalb des vom dekorativen Rohr benötigten Raums vorbereiten (für den elektrischen Anschluss alle weiteren im Blatt "Hinweise" aufgeführten Angaben befolgen).

2. Die Platte der elektrischen Anlage anbringen (Je nach Version) und mit 2 Schrauben und 2 Unterlegscheiben aus Metall befestigen (Abb.7).

3. Befestigung an der Wand: Zeichnen Sie eine Linie auf die Wand, vertikal zu Ihrem Kochfeld. Markieren Sie die ersten 2 anzubringenden Löcher auf der Wand, dabei sind die in Abb. 8 angegebenen Maße zu beachten. Die 2 Bohrungen ausführen und die (mitgelieferten) Dübel einstecken. Ist darauf zu achten, dass der Abstand zwischen dem unteren Rand der Haube und der Kochfläche 350 mm betragen muss. Den Metallbügel (A) an der Wand befestigen, dazu die gerade angebrachten 2 Löcher benutzen - Abb. 9 - (die Schrauben zur Befestigung der Bügel sind mitgeliefert). Benutzen Sie die beiden auf dem Bügel ausgesparten Dreiecke, um diesen exakt entlang der Längsachse der Haube zu positionieren. Dann die Haube an dem Bügel einhaken (Abb. 10). Die horizontale Position regulieren, indem die Haube in Übereinstimmung mit der Anordnung der Hängeschränke nach rechts oder nach links verschoben wird. Soll die Haube auch in der Höhe reguliert werden, die mitgelieferten Regulierschrauben (B) entsprechend anwenden. Bei erfolgter Einstellung, und ohne die Haube zu entfernen, die weiteren 6 anzubringenden Löcher (C) auf der Wand markieren; die Haube abhängen und die markierten Bohrlöcher anbringen (Durchmesser 8 mm); dann zur definitiven Befestigung die je 6 mitgelieferten Dübel und Schrauben benutzen.

4. Den Flansch am Luftaustritt des Gerätes montieren, indem ein leichter Druck ausgeübt wird (Abb.11).

5. Befestigung der Teleskoprohre:

5a - Die Schlauchhalterung mit den 4 mitgelieferten Schrauben verbinden (Abb.12); Anschließend mit Hilfe der mitgelieferten Dübel und Schrauben (F) den Bügel so an der Decke befestigen, dass er mit der Haube ausgerichtet ist (Abb.13).

5b - Das Luftabführungsrohr an die Luftaustrittsöffnung der Haube anschließen; dazu einen Schlauch verwenden und ihn an der Luftaustrittsöffnung der Haube mit einer Metallschelle befestigen - Abb.14 - (Schlauch und Schelle werden nicht mitgeliefert). Bei der Abluftversion ist das obere Rohr umzudrehen, damit sich die Luftaustrittsgitter unten befinden (Abb.15).

5c - Über das Versorgungskabel die Stromversorgung der Haube herstellen. Die Teleskoprohre auf die Haube legen und sie dann einfügen; das obere Rohr bis zur Decke führen und mit den 2 Schrauben (H) befestigen - (Abb.16).

INSTALLATION DER UMLUFTVERSION: Die Stromzufuhr innerhalb des vom dekorativen Rohr benötigten Raums vorbereiten (für den elektrischen Anschluss alle weiteren im Blatt "Hinweise" aufgeführten Angaben befolgen).

Wandbefestigung: für die Wandbefestigung die Anleitung für die Abluftversion hinzuziehen (siehe Punkt 2, 3 und 4), dann gemäß der unten aufgeführten Anweisungen fortfahren.

Befestigung der Teleskoprohre: - Die Schlauchhalterung mit den 4 mitgelieferten Schrauben verbinden (Abb. 12);

- Anschließend mit Hilfe der mitgelieferten Dübel und Schrauben (F) den Bügel so an der Decke befestigen, dass er mit

- der Haube ausgerichtet ist (Abb.13). - Das Reduzierstück am Luftaustrittspunkt auf die Haube montieren (Abb.17).
- Befestigen Sie einen Schlauch (Durchmesser 125 mm) an der Umluftweiche und sichern Sie ihn mit Hilfe einer Metallschelle (Rohr und Schelle werden nicht mitgeliefert); befestigen Sie die Umluftweiche am oberen Rohr (Abb.18) mit 4 Schrauben.
- Den Schlauch an das auf der Luftaustrittsöffnung befindliche Reduzierstück anschließen (Abb.19).
- Über das Versorgungskabel die Stromversorgung der Haube herstellen. - Die Teleskoprohre auf die Haube legen und sie dann einfügen; das obere Rohr bis zur Decke führen und mit 2 Schrauben H befestigen (Abb.16).
- Den Kohlefilter installieren, dazu die beiden Laschen des Filters in den vorgesehenen Sitz (Abb.20) einfügen und ihn nach oben drehen.

FUNKTIONSWEISE

Je nach Version ist das Gerät mit folgenden Bedienung ausgestattet:

BEDIENUNG gemäß Abb. 21:

- A) LICHT** einschalten.
- B) LICHT** ausschalten.
- C) Drosselt** die Geschwindigkeit auf ein Minimum. Bei 2 Sek. langem Drücken wird der Motor abgeschaltet.
- D) Betätigung** des Motors (mit der zuletzt verwendeten Geschwindigkeit) und Erhöhen der Geschwindigkeit bis zum Maximum.
- E) RESET FILTERALARM / TIMER:** Wird diese Taste während der Anzeige des Filteralarms (bei abgeschaltetem Motor) gedrückt, wird der Stundenzähler nullgestellt. Wird die Taste hingegen bei laufendem Motor gedrückt, wird der TIMER aktiviert, der die Abzughaube nach 5 Minuten automatisch abschaltet.
- L1) Die vier GRÜNEN LEDs** zeigen die momentane Geschwindigkeit an.
- L2) Wenn die LED rot** ist (bei abgeschaltetem Motor), zeigt sie FILTERALARM an. Wenn die LED grün ist und blinkt, zeigt sie an, dass der TIMER über die Taste E aktiviert worden ist.

FILTERALARM:

Nach einer Betriebszeit von 30h leuchtet LED L2 stets ROT, um anzuzeigen, dass die Fettfilter gereinigt werden müssen. Nach einer Betriebszeit von 120h blinkt LED L2 ROT, um anzuzeigen, dass die Fettfilter gereinigt und die Kohlenfilter ausgetauscht werden müssen.

Nach der Reinigung den Fettfiltern (und/oder dem Austausch der Kohlenfilter) ist zur Rückstellung des Stundenzählers die Taste E (RESET) während der Anzeige des Filteralarms zu drücken.

BEDIENUNG gemäß Abb. 22:

- P1) OFF/- Licht:** Drosselt die Helligkeit auf ein Minimum. Zum Ausschalten des Lichts 2" lang gedrückt halten.
- P2) ON/+ Licht:** Licht wird mit der zuletzt (vor dem Ausschalten) eingestellten Helligkeitsstufe eingeschaltet. Dient zur Erhöhung der Helligkeit auf ein Maximum.
- P3) OFF/- Motor:** Drosselt die Geschwindigkeit auf ein Minimum. Zum Ausschalten des Motors 2" lang gedrückt halten. Wenn die Taste 2" lang gedrückt wird, während das FILTERALARM durchgeführt wird, wird der STUNDENZÄHLER auf Null gesetzt.
- P4) ON/+ Motor:** Motor wird mit der zuletzt (vor dem Ausschalten) eingestellten Geschwindigkeit eingeschaltet. Dient zur Erhöhung der Geschwindigkeit auf ein Maximum (NICHT INTENSIV). Wenn die Taste 2" lang gedrückt wird, wird **HERVORGEHOBENE Timer** für 5 Minuten aktiviert; dabei blinken die LEDs zur Anzeige der jeweiligen Geschwindigkeit. Wenn die Taste 2" lang gedrückt wird, während **Timer** aktiv ist, wird dieser **GELÖSCHT**.
- P5) INT:** Funktioniert nur bei **EINGESCHALTETEM MOTOR**. Bei einmaligem Drücken wird die **ERSTE** Intensivstufe aktiviert, bei zweimaligem Drücken wird die **ZWEITE** Intensivstufe aktiviert, bei **DREIMALIGEM** Drücken kehrt das Gerät zur zu der vor der Intensivstufe eingestellten Geschwindigkeit (d.h. eine der ersten 4 Stufen) zurück.
- L1) Die vier GRÜNEN LEDs** zeigen die momentane Geschwindigkeit an.
- L2) zweifarbige Led:** GRÜN = erste Intensivgeschwindigkeit. ROT = zweite Intensivgeschwindigkeit.

FILTERALARM:

Nach 30 Betriebsstunden blinken die ersten 2 LED-Anzeigen (L1), um anzuzeigen, dass die Fettfilter gereinigt werden müssen. Nach 120 Betriebsstunden blinken die letzten 2 LED-Anzeigen (L1), um anzuzeigen, dass die Fettfilter gereinigt und die Kohlefilter ausgewechselt werden müssen.

Nach der Reinigung den Fettfiltern (und/oder dem Austausch der Kohlenfilter) ist zur Rückstellung des Stundenzählers die Taste P3 (RESET) während der Anzeige des Filteralarms zu drücken.

BEDIENUNG gemäß Abb. 23:

- A) Beleuchtung** ausschalten;
- B) Beleuchtung** einschalten;
- C) Motorgeschwindigkeit** bis auf Null vermindern. Durch Betätigung für 2" wird bei ausgelöstem Filteralarm der Stundenzähler auf null gestellt.
- D) Motor betätigen** (durch Aufrufen der zuletzt eingestellten Geschwindigkeit) und Geschwindigkeit bis zum Erreichen der Höchststufe hochfahren.
- E) Aktiviert/deaktiviert** den Sensor (AUTOMATISCHER oder MANUELLER Betriebsmodus). Im automatischen Betriebsmodus ist der Sensor aktiviert und auf dem Display (L) erscheint der Buchstabe "A".

L) Display:

- zeigt die aktuelle Geschwindigkeit an

- zeigt den automatischen Betriebsmodus an, wobei der Buchstabe "A" erscheint. Wenn die Motorgeschwindigkeit geändert wird, wird die aktuelle Geschwindigkeit mit dreimaligem Aufleuchten angezeigt, dann erscheint erneut der Buchstabe "A".
- gibt Hinweis auf "Filteralarm" (bei ausgeschaltetem Motor) an, indem das mittlere Segment 30" angezeigt wird.

FILTERALARM: wird bei ausgeschaltetem Motor für 30" angezeigt:

Nach einer Betriebszeit von 30h leuchtet auf dem Display das mittlere Segment auf; um anzuzeigen, dass die Antifett-Filter gereinigt werden müssen. Nach einer Betriebszeit von 120h blinkt auf dem Display das mittlere Segment; um anzuzeigen, dass die Fettfilter gereinigt und die Kohlenfilter ausgetauscht werden müssen.

Nach der Reinigung den Fettfiltern (und/oder dem Austausch der Kohlenfilter) ist zur Rückstellung des Stundenzählers die Taste C (RESET) während der Anzeige des Filteralarms zu drücken.

SENSIBILITÄT DES GAS-SENSORS: Die Sensibilität des Gas-Sensors kann entsprechend den persönlichen Bedürfnissen des Benutzers verändert werden. Zur Änderung der Sensibilität muss das Gerät sich im manuellen Betriebszustand befinden (d.h. auf dem Display erscheint nicht der Buchstabe "A", sondern die aktuelle Geschwindigkeit); Gegebenenfalls ist die Taste E zu drücken.

Die Sensibilität kann durch gleichzeitiges Drücken der Tasten D und E verändert werden. Auf dem Display wird die eingestellte Sensibilität angezeigt. Mit den Tasten C(-) und D(+) wird die gewünschte Sensibilität eingestellt. Durch Drücken der Taste E wird die "neue" Sensibilität gespeichert.

ACHTUNG: KEINE SILIKONHALTIGEN PRODUKTE IN DER NÄHE DER ABZUGHAUBE VERWENDEN, DA DIESE DEN SENSOR BESCHÄDIGEN KÖNNEN!

BEDIENUNG gemäß Abb. 24:

A) Leuchtstärke nimmt ab, bis das Minimum erreicht ist. Durch Betätigen der Taste für 2" schalten sich die Lampen aus.

B) Beleuchtung wird auf der zuletzt eingestellten Helligkeitsstufe eingeschaltet. Leuchtstärke nimmt bis zur Höchststufe zu.

C) Vermindert die Motorgeschwindigkeit bis zur Mindestgeschwindigkeit. Bei Betätigung für 2" schaltet sich der Motor aus. Durch Betätigung für 2" wird bei ausgelöstem Filteralarm der Stundenzähler auf null gestellt.

D) Motor betätigen (durch Aufrufen der zuletzt eingestellten Geschwindigkeit) und Geschwindigkeit bis zum Erreichen der Höchststufe hochfahren.

E) Aktiviert/deaktiviert den Sensor (AUTOMATISCHER oder MANUELLER Betriebsmodus). Im automatischen Betriebsmodus ist der Sensor aktiviert und auf dem Display (L) erscheint der Buchstabe "A".

L) Display:

- zeigt die aktuelle Geschwindigkeit an.

- zeigt den automatischen Betriebsmodus an, wobei der Buchstabe "A" erscheint. Wenn die Motorgeschwindigkeit geändert wird, wird die aktuelle Geschwindigkeit mit dreimaligem Aufleuchten angezeigt, dann erscheint erneut der Buchstabe "A".
- gibt Hinweis auf "Filteralarm" (bei ausgeschaltetem Motor) an, indem das mittlere Segment 30" angezeigt wird.

FILTERALARM: wird bei ausgeschaltetem Motor für 30" angezeigt:

Nach einer Betriebszeit von 30h erscheint auf dem Display der Buchstabe "F"; um anzuzeigen, dass die Fettfilter gereinigt werden müssen. Nach einer Betriebszeit von 120h blinkt auf dem Display der Buchstabe "F"; um anzuzeigen, dass die Fettfilter gereinigt und die Kohlenfilter ausgetauscht werden müssen.

Nach der Reinigung den Fettfiltern (und/oder dem Austausch der Kohlenfilter) ist zur Rückstellung des Stundenzählers die Taste C (RESET) während der Anzeige des Filteralarms zu drücken.

SENSIBILITÄT DES GAS-SENSORS: Die Sensibilität des Gas-Sensors kann entsprechend den persönlichen Bedürfnissen des Benutzers verändert werden. Zur Änderung der Sensibilität muss das Gerät sich im manuellen Betriebszustand befinden (d.h. auf dem Display erscheint nicht der Buchstabe "A", sondern die aktuelle Geschwindigkeit); Gegebenenfalls ist die Taste E zu drücken.

Die Sensibilität kann durch gleichzeitiges Drücken der Tasten D und E verändert werden. Auf dem Display wird die eingestellte Sensibilität angezeigt. Mit den Tasten C(-) und D(+) wird die gewünschte Sensibilität eingestellt. Durch Drücken der Taste E wird die "neue" Sensibilität gespeichert.

ACHTUNG: KEINE SILIKONHALTIGEN PRODUKTE IN DER NÄHE DER ABZUGHAUBE VERWENDEN, DA DIESE DEN SENSOR BESCHÄDIGEN KÖNNEN!

BEDIENUNG gemäß Abb. 25:

A) LICHTER an- und ausschalten.

1) Betreibt den Motor mit Geschwindigkeit 1 (Symbol leuchtet auf). Drücken Sie das Symbol etwa 2 Sekunden lang und der Motor wird abgeschaltet.

2) Betreibt den Motor mit Geschwindigkeit 2 (Symbol leuchtet auf). Keine weiteren Symbole leuchten auf.

3) Betreibt den Motor mit Geschwindigkeit 3 (Symbol leuchtet auf). Keine weiteren Symbole leuchten auf.

4) Betreibt den Motor mit Geschwindigkeit 4 (Symbol leuchtet auf). Keine weiteren Symbole leuchten auf.

B) TIMER einschalten (Symbol leuchtet auf). Bei eingeschaltetem Timer (5 Minuten) schaltet sich der Motor automatisch nach 5 Minuten ab.

C) FILTERALARM. Nach 30h Laufzeit leuchtet das Symbol auf. Der/die Fettfilter müssen gereinigt werden.

Nach 120h Laufzeit blinkt das Symbol. Der/die Fettfilter müssen gereinigt und der Kohlefilter gewechselt werden.

Drücken Sie auf das leuchtende (oder blinkende) Symbol, um die Stundenstellung wieder auf null zu stellen.

Fettfilter: Besonders ist auf die Fettfilter zu achten. Sie sind regelmäßig zu reinigen, wenn der Alarm Fettfilter erscheint. Für die Hinweise über den Filteralarm wird auf den Abschnitt Bedienung verwiesen. Bauen Sie die Filter wie unter Punkt 1 beschrieben aus und waschen Sie sie mit Neutralreiniger.

Kohlefilter: Bei Gebrauch des Geräts in Umluftversion, sind die Fettfilter regelmäßig auszuwechseln, wenn der Alarm Kohlefilter erscheint. Für die Hinweise über den Filteralarm wird auf den Abschnitt Bedienung verwiesen. Demontage des Kohlefilters: Das Metallgitter (Abb.3) und den Fettfilter (Abb.4, 5 oder 6) entfernen.

Den Kohlefilter herausnehmen, indem die Haltevorrichtung nach oben gedrückt wird, den Filter drehen, bis die beiden Blättchen aus ihrem Sitz entfernt werden (Abb.20).

Beleuchtung: um zu den Lampen zu gelangen, muss die Metallhalterung entfernt werden, indem die beiden Schrauben (Abb.26) gelockert und die Halterung nach rechts verschoben werden; um die Halogenlampen gemäß zu ersetzen, den Deckel durch Einwirken auf den passenden Schlitz öffnen(Abb.27). Mit Lampen derselben Art ersetzen. ACHTUNG: Glaskolben nicht mit bloßen Händen anfassen.

FRANCAIS

DESCRIPTION

Cette hotte peut être en version recyclage ou en version évacuation.

Versio n Recyclage (Fig. 1): votre hotte aspire l'air de la cuisine imprégnée de fumée et d'odeurs, en l'épurant à travers les filtres à graisse ainsi qu'à travers le filtre à charbon pour le renvoyer dans la pièce, propre. Afin que votre hotte soit efficace d'une façon constante, il est nécessaire de remplacer le filtre à charbon périodiquement. Les filtres à charbon ne sont pas fournis.

Versio n évacuation (Fig. 2): votre hotte aspire l'air de la cuisine imprégnée de fumée et d'odeurs, en le faisant passer à travers les filtres à graisse, puis en l'éliminant à l'extérieur à travers un tuyau d'évacuation. Dans cette version l'emploi du filtre à charbon n'est pas nécessaire. Vous devez décider dès le début quel type d'installation vous voulez (recyclage ou évacuation). Afin d'avoir une hotte au rendement optimal, nous vous conseillons d'installer une hotte version évacuation (si cela est possible).

Avertissement: Si vous installez les vis ou dispositifs de fixation conformément à ces instructions peut entraîner des risques électriques.

INSTALLATION

ATTENTION: Il faut au moins deux personnes pour monter cet appareil; il est conseillé de confier les opérations d'installation à des spécialistes. Avant de procéder aux opérations de montage, pour manoeuvrer plus aisément l'appareil, démontez les filtres à graisse.

1. Démontage de la grille métallique (que l'on trouve seulement sur certains modèles): tirer l'arrêt et déplacer la grille métallique vers le haut (Fig.3).

Démontage des filtres à graisse (voir la figure 4, 5 ou 6 selon le modèle que vous avez acheté):

Fig. 4 ou 5: enlever le filtre à graisse en poussant vers le bas et le faire pivoter vers l'extérieur.

Fig. 6: ouvrir le panneau en verre; poussez le blocage et tournez le filtre vers l'extérieur.

INSTALLATION VERSION EVACUATION: Avant de commencer l'installation, il est nécessaire de prévoir le tuyau pour l'évacuation de l'air à l'extérieur. Employez un tuyau d'évacuation qui ait: - la longueur minimale indispensable; - le moins de coudes et raccords possibles (angle maximum des coudes: 90°); - qui soit fait d'une matière approuvée par les normes en vigueur (suivant le pays); - sa surface intérieure la plus lisse possible. Nous vous conseillons aussi d'éviter les changements brusques de section du tuyau (diamètre conseillé: 150 mm). Pour l'évacuation de l'air à l'extérieur, suivez toutes les autres indications fournies par la feuille "Attention". Prévoir l'alimentation électrique dans l'encombrement de la cheminée télescopique (pour le branchement électrique, suivre toutes les autres indications se trouvant sur la feuille "Attention").

2. Monter la plaque de l'installation électrique (selon les modèles) en la fixant avec 2 vis et 2 rondelles métalliques (Fig. 7).

3. Fixation au mur: Tracez une ligne sur le mur, à la verticale de votre plan de cuisson. Tracez sur le mur les 2 premiers trous que vous devrez percer, en respectant les mesures indiquées à la Fig. 8; percez 2 trous et y placez les 4 chevilles (fournies en équipement). Ne pas oublier que la distance entre le bord inférieur de la hotte et le plan de cuisson doit être au 350 mm. Fixez le support métallique (A) au mur en utilisant les 2 trous percés - Fig. 9 - (les vis pour la fixation du support sont fournies). Utiliser les deux petits triangles découpés sur le support afin de le placer exactement le long de l'axe vertical de la hotte. Puis accrochez la hotte sur le support (Fig. 10). Régler la position horizontale en déplaçant la hotte à droite ou à gauche selon les exigences de l'alignement avec les meubles suspendus. S'il faut aussi régler la hotte en hauteur, agir sur les vis (B) de réglage (fournies). Après le réglage, sans enlever la hotte, tracer sur le mur les autres 6 trous à percer (C); décrocher la hotte et percer les trous tracés (diamètre 8mm); ensuite utiliser les 6 chevilles et les 6 vis fournies pour la fixation définitive.

4. Monter la flange sur la sortie d'air de l'appareil en exerçant une légère pression (Fig.11).

5. Fixation des tuyaux télescopiques:

5a - Assembler le support du tube en utilisant les 4 vis en dotation (Fig.12); ensuite, à l'aide des chevilles et des vis (F), fournies, fixer le support au plafond en faisant attention qu'il soit dans l'axe de la hotte (Fig. 13).

5b - Raccordez le conduit pour l'évacuation de l'air à la bouche de sortie d'air de la hotte; utilisez un tuyau souple et bloquez-le sur la bouche de sortie d'air de la hotte à l'aide d'un collier métallique - Fig. 14 - (le tuyau et le collier ne sont pas fournis). Pour la version aspirante retournez le tuyau supérieur de façon à ce que les grilles d'évacuation d'air soit dans la partie du bas (Fig.15).

5c - Effectuez le raccordement électrique de la hotte au moyen du câble d'alimentation. Installer les tuyaux télescopiques en les appuyant sur la hotte ; soulever le tuyau supérieur jusqu'au plafond et le fixer à l'aide des 2 vis (H) - Fig.16.

INSTALLATION VERSION RECYCLAGE: Prévoir l'alimentation électrique dans l'encombrement de la cheminée télescopique (pour le branchement électrique, suivre toutes les autres indications se trouvant sur la feuille "Attention").

Fixation au mur: pour la fixation au mur voir les instructions pour la version évacuation (voir point 2, 3, 4), puis continuer avec les instructions indiquées ci-après.

Fixation des tuyaux télescopiques: Assembler le support du tube en utilisant les 4 vis en dotation (Fig.12);

- Ensuite, à l'aide des chevilles et des vis (F) fournies, fixer le support au plafond en faisant attention qu'il soit dans l'axe de la hotte (Fig.13). - Monter la réduction sur la hotte en face du point de sortie de l'air (Fig.17). - Prendre le déflecteur d'air et y fixer un tuyau souple (de 125 mm de diamètre) en le bloquant à l'aide d'un collier métallique (le tuyau et le collier ne sont pas fournis); fixer le déflecteur d'air au tuyau supérieur (Fig.18) à l'aide de 4 vis.

- Raccordez le tuyau souple à la réduction se trouvant sur la bouche de sortie d'air (Fig.19). - Effectuez le raccordement électrique de la hotte au moyen du câble d'alimentation. Installer les tuyaux télescopiques en les appuyant sur la hotte ; soulever le tuyau supérieur jusqu'au plafond et le fixer à l'aide des 2 vis H (Fig.16).

- Installer le filtre à charbon en enfilant les 2 languettes du filtre dans le logement prévu à cet effet (Fig.20) et en le faisant tourner vers le haut.

FONCTIONNEMENT

Selon les modèles, l'appareil est muni des types suivants de commandes:

COMMANDES de la Fig.21:

A) éteint l'éclairage.

B) Allume l'éclairage.

C) Diminue la vitesse pour arriver à la vitesse minimum. Si pressée pendant 2" le moteur s'arrête.

D) Actionne le moteur (en rappelant la dernière vitesse utilisée) et augmente la vitesse pour arriver à la vitesse maximale.

E) RESET ALARME FILTRES/TIMER: si l'on appuie sur la touche pendant l'affichage de l'alarme des filtres (avec le moteur arrêté) on remet à zéro le comptage des heures. En appuyant sur la touche pendant le fonctionnement du moteur, on active le TIMER, la hotte s'éteint donc automatiquement après 5 minutes.

L1) Les 4 témoins lumineux VERTS signalent la vitesse en cours.

L2) Quand le témoin lumineux est rouge (avec le moteur arrêté) il indique l'ALARME DES FILTRES. Quand le témoin lumineux est vert (clignotant) il indique que le TIMER a été actionné par la touche E.

ALARME FILTRES:

Après 30h de fonctionnement le voyant L2 devient ROUGE. Il signale que les filtres à graisse doivent être nettoyés.

Après 120h de fonctionnement le voyant L2 devient ROUGE et clignote il indique que les filtres à graisse doivent être nettoyés et les filtres à charbon remplacés.

Après avoir nettoyé les filtres à graisse (et/ou remplacé les filtres à charbon), appuyer sur la touche E pour faire redémarrer le comptage des heures pendant la visualisation de l'alarme filtres.

COMMANDES de la Fig.22:

P1) **OFF/- Eclairages:** Diminue l'intensité lumineuse pour arriver à l'intensité minimum. Si pressé pendant 2" les lumières s'éteignent.

P2) **ON/+ Eclairages:** Allume les éclairages en rappelant le dernier niveau de luminosité programmé (avant le dernier arrêt). Augmente l'intensité lumineuse pour arriver à l'intensité maximum.

P3) **OFF/- Moteur:** Diminue la vitesse pour arriver à la vitesse minimum. Si pressé pendant 2" le moteur est arrêté. Si pressé pendant 2" lorsque ALARME FILTRES est activé, remet à zéro le comptage des HEURES.

P4) **ON/+ Moteur:** Actionne le moteur en rappelant la dernière vitesse programmée (avant le dernier arrêt).

Augmente la vitesse du moteur pour arriver à la vitesse maximum (PAS INTENSIVE).

Si pressé pendant 2" l'afficheur du Timer de 5 minutes s'active et se REMARQUE par le clignotement des témoins lumineux correspondants à la vitesse en cours.

Si pressé pendant 2" lorsque l'afficheur Timer est activé, ce dernier est ELIMINE.

P5) **INT:** Fonctionne seulement avec le moteur sur ON.

Si pressé une fois, active la PREMIERE vitesse intensive, pressé une deuxième fois active la DEUXIEME intensive, si pressé une TROISIEME fois revient à la vitesse programmée avant l'intensive (c'est-à-dire une des 4 premières).

L1) Les 4 témoins lumineux VERTS signalent la vitesse en cours.

L2) **Led Bicolore:** VERT = indique la première vitesse intensive. ROUGE = indique la deuxième vitesse intensive.

ALARME FILTRES:

Après 30h de fonctionnement les premiers 2 leds (L1) clignotent; Il signale que les filtres à graisse doivent être nettoyés.

Après 120h de fonctionnement les 2 derniers leds (L1) clignotent; il indique que les filtres à graisse doivent être nettoyés et les filtres à charbon remplacés.

Après avoir nettoyé les filtres à graisse (et/ou remplacé les filtres à charbon), appuyer sur la touche P3 pour faire redémarrer le comptage des heures pendant la visualisation de l'alarme filtres.

COMMANDES de la Fig.23:

A) Eteint les lumières;

B) Allume les lumières;

C) Diminue la vitesse du moteur jusqu'à ce qu'elle arrive à zéro. Si pressé pendant 2" lorsque l'ALARME FILTRES est activée il remet à zéro le comptage des HEURES.

D) Actionne le moteur (en rappelant la dernière vitesse utilisée) et augmente la vitesse jusqu'à ce qu'elle atteigne la vitesse maximale.

E) Active et désactive le Capteur (en AUTOMATIQUE ou en MANUEL). En modalité Automatique, le capteur est actif et l'écran (L) affiche la lettre "A".

L) Ecran:

- il signale la vitesse en cours d'exécution

- il signale la modalité Automatique en affichant la lettre "A". Si l'on change la vitesse du moteur, la vitesse en cours d'exécution s'affiche en clignotant 3 fois de suite, puis la lettre "A" s'affiche de nouveau.

- il signale l'alarme Filtres (avec moteur éteint) en affichant le segment central pendant 30".

ALARME FILTRES: elle est signalée avec le Moteur Arrêté pendant 30".

Après 30h de fonctionnement, le segment central s'éclaire sur l'écran; Il signale que les filtres à graisse doivent être nettoyés et les filtres à charbon remplacés.

Après avoir nettoyé les filtres à graisse (et/ou remplacé les filtres à charbon), appuyer sur la touche C pour faire redémarrer le comptage des heures pendant la visualisation de l'alarme filtres.

SENSIBILITE DU CAPTEUR GAZ; la sensibilité du capteur peut être modifiée selon les besoins spécifiques. Pour modifier cette sensibilité, l'appareil doit être en modalité manuelle (c'est-à-dire que l'écran ne doit pas afficher la lettre "A" mais la vitesse d'exécution); dans le cas contraire, appuyer sur la touche E.

Modifier la sensibilité en appuyant simultanément sur la touche D et sur la touche E. La sensibilité paramétrée sera affichée à l'écran. A l'aide des touches C(-) et D(+) on paramètre la sensibilité désirée Mémoriser la "nouvelle" sensibilité en appuyant sur la touche E.

ATTENTION: POUR ÉVITER DE DÉTÉRIORER LE SENSEUR, NE PAS UTILISER DE PRODUITS AU SILICONE À PROXIMITÉ DE LA HOTTE!

COMMANDES de la Fig.24:

A) Diminue l'intensité lumineuse jusqu'à la valeur minimum. En appuyant sur la touche pendant 2" les lumières s'éteignent.

B) allume les lumières en rappelant le dernier niveau de luminosité configurée. Augmente l'intensité lumineuse jusqu'à la valeur maximum.

C) Diminue la vitesse du moteur pour arriver à la vitesse minimum. Si pressé pendant 2" le moteur est arrêté.

Si pressé pendant 2" lorsque l'ALARME FILTRES est activée il remet à zéro le comptage des HEURES.

D) Actionne le moteur (en rappelant la dernière vitesse utilisée) et augmente la vitesse jusqu'à ce qu'elle atteigne la vitesse maximale..

E) Active et désactive le Capteur (en AUTOMATIQUE ou en MANUEL). En modalité Automatique, le capteur est actif et l'écran (L) affiche la lettre "A".

L) Ecran:

- signale la vitesse en cours d'exécution.

- il signale la modalité Automatique en affichant la lettre "A". Si l'on change la vitesse du moteur, la vitesse en cours d'exécution s'affiche en clignotant 3 fois de suite, puis la lettre "A" s'affiche de nouveau.

- il signale l'alarme Filtres (avec moteur éteint) en affichant le segment central pendant 30".

ALARME FILTRES: elle est signalée avec le Moteur Arrêté pendant 30".

Après 30h de fonctionnement, l'écran affiche la lettre "F"; Il signale que les filtres à graisse doivent être nettoyés.

Après 120h de fonctionnement, la lettre "F" clignote sur l'écran; il indique que les filtres à graisse doivent être nettoyés et les filtres à charbon remplacés. Après avoir nettoyé les filtres à graisse (et/ou remplacé les filtres à charbon), appuyer sur la touche C pour faire redémarrer le comptage des heures pendant la visualisation de l'alarme filtres.

SENSIBILITE DU CAPTEUR GAZ; la sensibilité du capteur peut être modifiée selon les besoins spécifiques. Pour modifier cette sensibilité, l'appareil doit être en modalité manuelle (c'est-à-dire que l'écran ne doit pas afficher la lettre "A" mais la vitesse d'exécution); dans le cas contraire, appuyer sur la touche E.

Modifier la sensibilité en appuyant simultanément sur la touche D et sur la touche E. La sensibilité paramétrée sera affichée à l'écran. A l'aide des touches C(-) et D(+) on paramètre la sensibilité désirée Mémoriser la "nouvelle" sensibilité en appuyant sur la touche E.

ATTENTION: POUR ÉVITER DE DÉTÉRIORER LE SENSEUR, NE PAS UTILISER DE PRODUITS AU SILICONE À PROXIMITÉ DE LA HOTTE!

COMMANDES de la Fig.25:

A) Allumage et extinction de l'ÉCLAIRAGE.

1) Actionnement du moteur à la première vitesse (l'icône s'allume). La pression de l'icône pendant 2 secondes environ provoque l'arrêt du moteur.

2) Actionnement du moteur à la deuxième vitesse (l'icône s'allume). Toutes les autres icônes relatives à la vitesse restent éteintes.

3) Actionnement du moteur à la troisième vitesse (l'icône s'allume). Toutes les autres icônes relatives à la vitesse restent éteintes.

4) Actionnement du moteur à la quatrième vitesse (l'icône s'allume). Toutes les autres icônes relatives à la vitesse restent éteintes.

B) Actionnement du TIMER (l'icône s'allume). Le moteur s'arrête automatiquement 5 minutes après l'actionnement du timer.

C) ALARME FILTRES. Après 30h de fonctionnement, l'icône s'allume pour indiquer qu'il est temps de nettoyer le ou les filtres à graisse.

Après 120h de fonctionnement, l'icône clignote pour indiquer qu'il faut nettoyer le ou les filtres à graisse et changer les filtres à charbon.

Pour faire repartir le compte-heures, effacez en appuyant sur l'icône pendant qu'elle est allumée (ou pendant qu'elle clignote).

Filtres à graisse: un soin particulier doit être accordé aux filtres à graisse qui doivent être nettoyés périodiquement, quand intervient l'alarme des filtres à graisse. Pour les instructions, concernant l'alarme des filtres, voir le paragraphe des Commandes. Démontez les filtres comme indiqué au point 1 et les laver avec un détergent neutre.

Filtres à charbon: Si l'on utilise l'appareil en version filtrante, il faut remplacer périodiquement les filtres à charbon, quand intervient l'alarme des filtres à charbon. Pour les instructions, concernant l'alarme des filtres, voir le paragraphe des Commandes. Démontage du filtre(s) à charbon: enlever la grille métallique (Fig.3) et le filtre à graisse (Fig.4, 5 ou 6). Retirer le filtre à charbon en poussant l'arrêt vers l'intérieur, faire pivoter le filtre jusqu'à faire retirer les deux languettes de leurs sièges (Fig.20).

Illumination: pour accéder aux ampoules il faut enlever le support métallique en dévissant les deux vis (Fig.26) et le déplacer vers la droite; pour changer les ampoules allôgène ouvrez le couvercle en faisant levier grâce aux fissures prévues à cet effet (Fig.27). Remplacez-les par des lampes ayant les mêmes caractéristiques. ATTENTION: Ne pas toucher l'ampoule à main nue.

ITALIANO

DESCRIZIONE

La cappa può essere in versione filtrante o in versione aspirante.

Versione filtrante (Fig.1): la cappa aspira l'aria della cucina impregnata di fumi e di odori, depurandola attraverso i filtri anti-grasso ed i filtri carbone per poi re-immetterla pulita nella stanza. Per una costante efficienza, è necessario sostituire periodicamente i filtri al carbone. I filtri al carbone non sono in dotazione.

Versione aspirante (Fig.2): la cappa aspira l'aria della cucina impregnata di fumi e di odori facendola passare attraverso i filtri anti-grasso, poi la espelle all'esterno attraverso un condotto di scarico. In questa versione non è necessario utilizzare il filtro al carbone. Decidete sin dall'inizio il tipo di installazione (filtrante o aspirante). Per una maggiore efficienza, consigliamo di installare la cappa in versione aspirante (se possibile).

Attenzione: La mancata installazione delle viti o dispositivi di fissaggio in conformità con queste istruzioni può comportare rischi di natura elettrica.

INSTALLAZIONE

ATTENZIONE: per montare questo apparecchio sono necessarie almeno due persone; si consiglia comunque di affidare le operazioni di installazione a personale specializzato. Prima di procedere alle operazioni di montaggio, per una più facile manovrabilità dell'apparecchio disinserire i filtri antigrasso.

1. Rimozione griglia metallica (presente solo in determinati modelli): tirare il fermo e spostare la griglia metallica verso l'alto (Fig.3).

Rimozione filtro antigrasso (fate riferimento alla Figura 4, 5 o 6 secondo il modello da voi acquistato):

Fig. 4 o 5: togliere il filtro antigrasso spingendolo verso il basso e ruotandolo verso l'esterno.

Fig. 6: aprire il pannello in vetro; spingere il fermo e ruotare il filtro verso l'esterno.

INSTALLAZIONE IN VERSIONE ASPIRANTE: prima del fissaggio è necessario predisporre il condotto per lo scarico dell'aria all'esterno. Utilizzare un condotto di scarico che abbia: – lunghezza minima indispensabile; – minor numero possibile di curve (angolo massimo della curva:90°); – materiale approvato normativamente (a seconda dello Stato); – lato interno più liscio possibile. Si consiglia inoltre di evitare cambiamenti drastici di sezione del tubo (diametro consigliato: 150 mm).

Per lo scarico dell'aria all'esterno, seguire tutte le altre indicazioni riportate nel foglio "Avvertenze". Predisporre l'alimentazione elettrica entro l'ingombro del tubo decorativo (per il collegamento elettrico, seguite tutte le altre indicazioni riportate nel foglio "Avvertenze").

2. Montare la piastra dell'impianto elettrico (a seconda delle versioni) fissandola con 2 viti e 2 rondelle metalliche (Fig. 7).

3. Fissaggio a muro: Tracciate sulla parete una linea, sulla verticale del vostro piano di cottura. Segnate sulla parete i primi 2 fori che dovrete fare, rispettando le misure indicate in Fig. 8; effettuate i 2 fori ed inserite i tasselli (in dotazione). Tenere presente che la distanza tra il bordo inferiore della cappa ed il piano cottura deve essere 350 mm.

Fissate la staffa metallica (A) alla parete utilizzando i 2 fori appena effettuati - Fig.9- (le viti per il fissaggio della staffa sono in dotazione). Utilizzare i 2 triangolini ritagliati sulla staffa per posizionarla esattamente lungo l'asse verticale della cappa.

Agganciate quindi la cappa alla staffa (Fig.10). Regolare la posizione orizzontale spostando la cappa a destra o a sinistra secondo le esigenze di allineamento ai pensili. Se avete l'esigenza di regolare la cappa anche in altezza, operare sulle apposite viti (B) di regolazione (in dotazione). A regolazione avvenuta, senza togliere la cappa, segnare sul muro gli altri 6 fori da fare (C); sganciare la cappa ed effettuare i fori segnati (diametro 8mm); utilizzare poi 6 tasselli e 6 viti (in dotazione) per il fissaggio definitivo.

4. Montare la flangia sulla bocca uscita aria dell'apparecchio esercitando una leggera pressione (Fig.11).

5. Fissaggio dei tubi telescopici:

5a - Assiemare il supporto tubo utilizzando 4 viti in dotazione (Fig.12); successivamente, mediante i tasselli e le viti (F) in dotazione, fissare la staffa al soffitto facendo in modo che sia in asse con la vostra cappa (Fig.13).

5b - Collegare il condotto per lo scarico dell'aria con la bocca uscita aria della cappa; utilizzare un tubo flessibile e bloccarlo alla bocca uscita aria della cappa con una fascetta metallica (Fig.14) (tubo e fascetta non sono in dotazione).

Per la versione aspirante capovolgere il tubo superiore in modo che le griglie di evacuazione aria siano nella parte bassa (Fig.15).

5c - Effettuare il collegamento elettrico della cappa mediante il cavo di alimentazione. - Inserire i tubi telescopici appoggiandoli sulla cappa; sollevare il tubo superiore fino al soffitto e fissarlo tramite le 2 viti H (Fig.16).

INSTALLAZIONE IN VERSIONE FILTRANTE: predisporre l'alimentazione elettrica entro l'ingombro del tubo decorativo (per il collegamento elettrico, seguite tutte le altre indicazioni riportate nel foglio "Avvertenze").

Fissaggio a muro: per il fissaggio a muro fare riferimento alle istruzioni per la versione aspirante (vedi punti 2, 3 e 4), poi proseguire con le istruzioni qui sotto riportate.

Fissaggio dei tubi telescopici: - Assiemare il supporto tubo utilizzando 4 viti in dotazione (Fig.12).

- Successivamente, mediante i tasselli e le viti (F) in dotazione, fissare la staffa al soffitto facendo in modo che sia in asse con la vostra cappa (Fig.13). - Montare la riduzione sulla cappa, in corrispondenza del punto uscita aria (Fig.17).

- Prendere il deflettore aria e fissateci un tubo flessibile (di diametro 125 mm) bloccandolo con una fascetta metallica (tubo e fascette non sono in dotazione); fissare il deflettore aria al tubo superiore (Fig.18) con 4 viti.

- Collegare il tubo flessibile alla riduzione presente sulla bocca uscita aria (Fig.19).

- Effettuare il collegamento elettrico della cappa mediante il cavo di alimentazione. - Inserire i tubi telescopici appoggiandoli sulla cappa; sollevare il tubo superiore fino al soffitto e fissarlo tramite le 2 viti H (Fig.16).

- Installare il filtro al carbone infilando le 2 linguette del filtro nell'apposita sede (Fig.20) e facendolo ruotare verso l'alto.

FUNZIONAMENTO

A seconda delle versioni l'apparecchio è dotato dei seguenti tipi di comandi:

COMANDI di Fig.21:

A) Spegne le LUCI.

B) Accende le LUCI.

C) Decrementa la velocità del motore fino ad arrivare alla minima. Se premuto per 2" viene spento il motore.

D) Aziona il motore (richiamando l'ultima velocità utilizzata) ed incrementa la velocità fino ad arrivare alla massima.

E) RESET ALLARME FILTRI / TIMER: premendo il tasto durante la visualizzazione dell'allarme filtri (a motore spento) azzerà il conteggio delle ore. Premendo il tasto durante il funzionamento del motore, si attiva il TIMER, per cui la cappa si spegne automaticamente dopo 5 minuti.

L1) I 4 led VERDI segnalano la velocità in esecuzione.

L2) Quando il LED è rosso (a motore spento) indica l'ALLARME FILTRI. Quando il LED è verde (lampeggiante) indica che è stato azionato il TIMER tramite il tasto E.

ALLARME FILTRI:

Dopo 30h di funzionamento, il led L2 diviene ROSSO; indica che devono essere puliti i filtri antigrasso.

Dopo 120h di funzionamento, il led L2 diviene ROSSO e lampeggiante; indica che devono essere puliti i filtri antigrasso e sostituiti i filtri carbone.

Una volta puliti i filtri antigrasso (e/o sostituiti i filtri carbone), per far ripartire il conteggio delle ore (RESET) premere il tasto E durante la visualizzazione dell'allarme filtri.

COMANDI di Fig.22:

P1) OFF/- Luci: Decrementa l'intensità luminosa fino ad arrivare alla minima intensità. Se premuto per 2" si spengono le luci.

P2) ON/+ Luci: Accende le luci richiamando l'ultimo livello di luminosità impostato (prima dell'ultimo spegnimento).

Incrementa l'intensità luminosa fino ad arrivare alla massima intensità.

P3) **OFF/- Motore:** Decrementa la velocità fino ad arrivare alla minima. Se premuto per 2" viene spento il motore. Se premuto per 2" **quando è attivo l'allarme filtri** azzerà il conteggio ORE.

P4) **ON/+ Motore:** Accende il motore richiamando l'ultima velocità impostata (prima dell'ultimo spegnimento).

Incrementa la velocità del motore fino ad arrivare alla massima velocità (NON INTENSIVE).

Se premuto per 2" si attiva il TIMER di 5 minuti (evidenziato con il lampeggio dei led relativi alla velocità in esecuzione).

Se premuto per 2" quando il Timer è attivo, questo viene ELIMINATO.

P5) **INT:** Funziona solo a motore acceso. Se premuto una volta attiva la PRIMA velocità intensiva, premuto una seconda volta attiva la SECONDA intensiva, se premuto una TERZA volta si ritorna alla velocità impostata prima dell'intensiva (cioè una delle prime 4).

L1) I 4 led VERDI segnalano la velocità in esecuzione.

L2) **Led Bicolore:** VERDE : indica la prima velocità intensiva. ROSSO : indica la seconda velocità intensiva.

ALLARME FILTRI:

Dopo 30h di funzionamento, i primi 2 led (L1) lampeggiano; indica che devono essere puliti i filtri antigrasso.

Dopo 120h di funzionamento, gli ultimi 2 led (L1) lampeggiano; indica che devono essere puliti i filtri antigrasso e sostituiti i filtri carbone.

Una volta puliti i filtri antigrasso (e/o sostituiti i filtri carbone), per far ripartire il conteggio delle ore (RESET) premere il tasto P3 durante la visualizzazione dell'allarme filtri.

COMANDI di Fig.23:

A) spegne le luci.

B) accende le luci.

C) Decrementa la velocità del motore fino ad arrivare a zero. Se premuto per 2" quando è attivo l'Allarme Filtri azzerà il conteggio ORE.

D) Aziona il motore (richiamando l'ultima velocità utilizzata) ed incrementa la velocità fino ad arrivare alla massima.

E) Attiva/disattiva il Sensore (modalità AUTOMATICA o MANUALE). In modalità Automatica il sensore è attivo e sul Display (L) compare la lettera "A".

L) Display:

- segnala la velocità in esecuzione

- segnala la modalità Automatica tramite la visualizzazione della lettera "A". Cambiando la velocità del motore, viene visualizzata la velocità in esecuzione con tre lampeggi, poi viene di nuovo visualizzata la lettera "A".

- segnala l'Allarme Filtri (a motore spento) tramite la visualizzazione del segmento centrale per 30".

ALLARME FILTRI: viene evidenziato a Motore Spento per 30":

Dopo 30h di funzionamento, sul display si illumina il segmento centrale; indica che devono essere puliti i filtri antigrasso.

Dopo 120h di funzionamento, sul display lampeggia il segmento centrale; indica che devono essere puliti i filtri antigrasso e sostituiti i filtri carbone.

Una volta puliti i filtri antigrasso (e/o sostituiti i filtri carbone), per far ripartire il conteggio delle ore (RESET) premere il tasto C durante la visualizzazione dell'allarme filtri.

SENSIBILITA' DEL SENSORE GAS: la sensibilità del sensore può essere modificata secondo le proprie esigenze. Per modificare tale sensibilità, l'apparecchio deve trovarsi in modalità manuale (cioè sul display non deve comparire la lettera "A" ma la velocità di esecuzione); se così non fosse, premere il tasto E.

Modificare la sensibilità premendo contemporaneamente il tasto D ed il tasto E. Sul display verrà evidenziata la sensibilità impostata. Tramite i pulsanti C(-) e D(+) si imposta la sensibilità desiderata. Memorizzare la "nuova" sensibilità premendo il tasto E.

ATTENZIONE: PER EVITARE DI DANNEGGIARE IL SENSORE, NON USARE PRODOTTI SILICONICI IN PROSSIMITÀ DELLA CAPPA!

COMANDI di Fig.24:

A) Diminuisce l'intensità luminosa fino al minimo. Premendo il tasto per 2" le luci si spengono.

B) accende le luci richiamando l'ultimo livello di luminosità impostato. Incrementa l'intensità luminosa fino al massimo.

C) Decrementa la velocità del motore fino ad arrivare alla minima. Se premuto per 2" viene spento il motore.

Se premuto per 2" quando è attivo l'Allarme Filtri azzerà il conteggio ORE.

D) Aziona il motore (richiamando l'ultima velocità utilizzata) ed incrementa la velocità fino ad arrivare alla massima.

E) Attiva/disattiva il Sensore (modalità AUTOMATICA o MANUALE). In modalità Automatica il sensore è attivo e sul Display (L) compare la lettera "A".

L) Display:

- segnala la velocità in esecuzione.

- segnala la modalità Automatica tramite la visualizzazione della lettera "A". Cambiando la velocità del motore, viene visualizzata la velocità in esecuzione con tre lampeggi, poi viene di nuovo visualizzata la lettera "A".

- segnala l'Allarme Filtri (a motore spento) tramite la visualizzazione del segmento centrale per 30".

ALLARME FILTRI: viene evidenziato a Motore Spento per 30":

Dopo 30h di funzionamento, sul display compare la lettera "F"; indica che devono essere puliti i filtri antigrasso.

Dopo 120h di funzionamento, sul display lampeggia la lettera "F"; indica che devono essere puliti i filtri antigrasso e sostituiti i filtri carbone.

Una volta puliti i filtri antigrasso (e/o sostituiti i filtri carbone), per far ripartire il conteggio delle ore (RESET) premere il tasto C durante la visualizzazione dell'allarme filtri.

SENSIBILITA' DEL SENSORE GAS: la sensibilità del sensore può essere modificata secondo le proprie esigenze. Per modificare tale sensibilità, l'apparecchio deve trovarsi in modalità manuale (cioè sul display non deve comparire la lettera "A" ma la velocità di esecuzione); se così non fosse, premere il tasto E.

Modificare la sensibilità premendo contemporaneamente il tasto D ed il tasto E. Sul display verrà evidenziata la sensibilità impostata. Tramite i pulsanti C(-) e D(+) si imposta la sensibilità desiderata. Memorizzare la "nuova" sensibilità premendo il tasto E.

ATTENZIONE: PER EVITARE DI DANNEGGIARE IL SENSORE, NON USARE PRODOTTI SILICONICI IN PROSSIMITÀ DELLA CAPPA!

COMANDI di Fig.25:

A) Accende e spegne le LUCI.

1) Aziona il motore alla prima velocità (l'icona si illumina). Premendo per circa 2 secondi sull'icona, il motore si arresta.

2) Aziona il motore alla seconda velocità (l'icona si illumina). Tutte le altre icone relative alle velocità rimangono spente.

3) Aziona il motore alla terza velocità (l'icona si illumina). Tutte le altre icone relative alle velocità rimangono spente.

4) Aziona il motore alla quarta velocità (l'icona si illumina). Tutte le altre icone relative alle velocità rimangono spente.

B) Aziona il TIMER (l'icona si illumina). Azionando il Timer (5 minuti), il motore si arresta automaticamente dopo 5 minuti.

C) ALLARME FILTRI. Dopo 30h di funzionamento, l'icona si illumina per indicare che bisogna pulire il/i filtro/i antigrasso. Dopo 120h di funzionamento, l'icona lampeggia per indicare che bisogna pulire il/i filtro/i antigrasso e sostituire i filtri carbone. Per far ripartire il conteggio delle ore, resettare pigiando sull'icona mentre è illuminata (o mentre lampeggia).

Filtri antigrasso: una cura particolare va rivolta ai filtri antigrasso che devono essere puliti periodicamente, quando compare l'allarme filtri antigrasso. Per istruzioni sull'Allarme filtri, fare riferimento al paragrafo Comandi. Smontate i filtri come descritto al punto 1 e lavateli con detersivo neutro.

Filtri carbone: nel caso d'uso dell'apparecchio in versione filtrante, sarà necessario sostituire i filtri al carbone periodicamente, quando compare l'allarme filtri carbone. Per istruzioni sull'Allarme filtri, fare riferimento al paragrafo Comandi. Smontaggio del filtro carbone: togliere la griglia metallica (Fig.3) ed il filtro antigrasso (Fig.4, 5 o 6).

Rimuovere il filtro carbone premendo il fermo verso l'interno, ruotare il filtro fino a togliere le due linguette dalle loro sedi (Fig.20).

Illuminazione: per accedere alle lampade occorre rimuovere il supporto metallico svitando le due viti (Fig.26) e spostarlo verso destra; per sostituire le lampade alogene aprire il coperchio facendo leva sulle apposite fessure (Fig.27). Sostituire con lampade dello stesso tipo. **ATTENZIONE:** non toccare la lampadina a mani nude.

ESPAÑOL

DESCRIPCIÓN

La campana puede ser en versión filtrante o en versión aspirante.

Versión filtrante (Fig.1): La campana aspira el aire de la cocina impregnado de humos y de olores depurándolo a través de filtros antigrasa y filtro al carbón para luego introducirlo de nuevo limpio en la habitación. Para mayor eficacia, es necesario sustituir periódicamente los filtros al carbón. Los filtros al carbón no vienen adjuntos.

Versión aspirante (Fig.2): La campana aspira el aire de la cocina impregnado de humos y de olores haciéndolo pasar a través de los filtros antigrasa, después lo expulsa hacia el exterior a través del conducto de descarga. En esta versión no es necesario utilizar los filtros al carbón. Decida desde el principio el tipo de instalación (filtrante o aspirante). Para una mayor eficacia, aconsejamos que se instale la campana en versión aspirante (si es posible).

Advertencia: Si no se instalan los tornillos o dispositivos de fijación de acuerdo con estas instrucciones puede resultar en riesgos eléctricos.

INSTALACIÓN

CUIDADO: Para montar este aparato se necesitan al menos dos personas; le aconsejamos que lo haga instalar a personal especializado. Antes de proceder a las operaciones de montaje, para que se pueda maniobrar el aparato con mayor facilidad es necesario desconectar los filtros antigrasa.

1. Remoción de la rejilla metálica (presente sólo en determinados modelos): tirar del cierre y correr la rejilla metálica hacia arriba (Fig.3).

Remoción de los filtros antigrasa (véase la Figura 4, 5 ó 6 en base al modelo adquirido):

Fig. 4 ó 5: quitar el filtro antigrasa empujándolo hacia abajo y girándolo hacia el exterior.

Fig. 6: abrir el panel de vidrio; empuje el tope y gire el filtro hacia fuera.

INSTALACION EN VERSION ASPIRANTE: Antes de sujetar la campana es necesario colocar el conducto para la descarga de aire al exterior. Utilice un conducto de descarga que tenga la longitud mínima indispensable, el menor número

posible de curvas (ángulo máximo de la curva = 90°), material de acuerdo con la normativa vigente (de cada país), parte interna lo más lisa posible. Se aconseja además evitar cambios drásticos de sección del tubo (diámetro aconsejado: 150 mm). Para la descarga del aire hacia el exterior, siga todas las demás indicaciones que aparecen en el folio "Advertencias". Preparar los cables de alimentación eléctrica dentro de las dimensiones del tubo decorativo (para la conexión eléctrica, seguir las restantes indicaciones del folio "Advertencias").

2. Montar la placa del sistema eléctrico (según la versión) fijándola mediante 2 tornillos y 2 arandelas metálicas (Fig. 7).

3. Fijación a la pared: Trazar sobre la pared una línea vertical respecto del plano de cocción. Marcar sobre la pared los primeros dos orificios necesarios, respetando las medidas indicadas en la Fig.8, realizar los dos orificios e introducir las espigas incluidas en el equipamiento. Como ya especificado en el folio "Advertencias", tener en cuenta que la distancia entre el borde inferior de la campana y el plano de cocción debe ser 350 mm. Fijar el estribo metálico (A) a la pared utilizando los dos orificios realizados anteriormente - Fig. 9 - (los tornillos para la fijación del estribo están incluidos en el equipamiento). Servirse de los dos triángulos recortados en el estribo para emplazarlo correctamente a lo largo del eje vertical de la campana. Luego enganchar la campana al estribo (Fig. 10). Regular la posición horizontal desplazando la campana hacia la derecha o la izquierda, siguiendo la alineación con los muebles de pared. Si fuera necesario regular también la altura de la campana, servirse de los tornillos de regulación correspondientes (B) incluidos en el equipamiento. Una vez efectuada la regulación y sin quitar la campana, marcar los otros 6 orificios necesarios sobre la pared (C), desenganchar la campana y realizar los orificios marcados (8 mm de diámetro). Para la fijación definitiva utilizar las 6 espigas y los 6 tornillos incluidos en el equipamiento.

4. Colocar la arandela en la boca de evacuación del aire del aparato practicando una ligera presión (Fig.11).

5. Fijación de los tubos telescópicos:

5a - Unir el soporte del tubo usando 4 tornillos de la dotación (Fig.12); posteriormente, mediante las espigas y los tornillos (F) incluidos en el equipamiento, fijar el estribo al techo de manera que sea alineado con la campana (Fig. 13).

5b - Conectar el conducto de evacuación del aire con la salida del aire de la campana. Utilizar un tubo flexible, trabándolo en la boca de salida del aire de la campana mediante una abrazadera metálica - Fig. 14 - (el tubo y la abrazadera no están incluidos en el equipamiento). Para la versión aspirante hay que invertir el tubo superior de manera que las rejillas de salida del aire queden en la parte inferior (Fig.15).

5c - Efectuar la conexión eléctrica de la campana extractora mediante el cable de alimentación. Introducir los tubos telescópicos apoyándolos sobre la campana extractora; levantar el tubo superior hasta el techo y asegurarlo con 2 tornillos H (Fig.16).

INSTALACION DE LA VERSION FILTRANTE: Preparar los cables de alimentación eléctrica dentro de las dimensiones del tubo decorativo (para la conexión eléctrica, seguir las restantes indicaciones del folio "Advertencias").

Fijación a la pared: Para la fijación a la pared tomar como referencia las instrucciones para la versión aspirante (véase punto 2, 3, 4), luego proseguir con las siguientes instrucciones.

Fijación de los tubos telescópicos: Unir el soporte del tubo usando 4 tornillos de la dotación (Fig.12);

- Posteriormente, mediante las espigas y los tornillos (F) incluidos en el equipamiento, fijar el estribo al techo de manera que sea alineado con la campana (Fig.13). - Montar el adaptador en la boca de salida del aire de la campana (Fig.17).

- Tomar el deflector de aire y fijar al mismo un tubo flexible de 125 mm de diámetro, asegurándolo mediante una abrazadera metálica (ninguno de estos elementos se entrega con el equipamiento); fijar el deflector de aire al tubo superior (Fig.18) mediante 4 tornillos.

- Conectar el tubo flexible a la reducción presente en la boca de salida del aire (Fig.19).

- Efectuar la conexión eléctrica de la campana extractora mediante el cable de alimentación. Introducir los tubos telescópicos apoyándolos sobre la campana extractora; levantar el tubo superior hasta el techo y asegurarlo con 2 tornillos H (Fig.16).

- Instalar el filtro de carbón introduciendo las dos lengüetas del mismo en el alojamiento correspondiente (Fig.20) y haciéndolo girar hacia arriba.

FUNCIONAMIENTO

Según la versión, el aparato está dotado de los siguientes tipos de mandos:

MANDOS de la Fig.21:

A) Apaga las luces.

B) Enciende las LUCES.

C) Disminuye la velocidad hasta llegar a la intensidad mínima. Si se mantiene pulsado durante 2" se apaga el motor.

D) Acciona el motor (recordando la última velocidad utilizada) y aumenta la velocidad hasta llegar a la máxima.

E) RESET ALARMAS FILTROS / TIMER: pulsando la tecla durante la visualización de la alarma filtros (con el motor apagado) se pone a cero el conteo de las horas. Pulsando la tecla durante el funcionamiento del motor, se activa el TIMER, con lo cual la campana se apaga automáticamente tras 5 minutos.

L1) Los 4 led VERDES señalan la velocidad en ejecución.

L2) Cuando el LED es rojo (con el motor apagado) indica la ALARMA FILTROS. Cuando el LED es verde (parpadeando) indica que se ha accionado el TIMER mediante la tecla E.

ALARMA DE FILTROS:

Después de 30 h de funcionamiento, el led L2 se vuelve ROJO. indica que se deben limpiar los filtros antigrasa.

Después de 120 h de funcionamiento, el led L2 se vuelve ROJO y parpadea; indica que se deben limpiar los filtros antigrasa

y sustituir los filtros de carbón.

En cuanto los filtros antigrasa estén limpios (o sustituidos los filtros de carbón), presione la tecla E durante la visualización de la alarma de filtros, para que se reanude el conteo de las horas (RESET).

MANDOS de la Fig.22:

P1) **OFF/- Luces:** Disminuye la intensidad luminosa hasta llegar a la intensidad mínima. Si se pulsa durante 2" las luces se apagan.

P2) **ON/+ Luces:** Enciende las luces activando el último nivel de luminosidad seleccionado (antes de haberlo apagado por última vez).

Aumenta la intensidad luminosa hasta llegar a la intensidad máxima.

P3) **OFF/- Motor:** Disminuye la velocidad hasta llegar a la intensidad mínima. Si se pulsa durante 2" el motor se apaga. Si se pulsa durante 2" cuando está activado el ALARMA FILTROS pone a cero el conteo HORAS.

P4) **ON/+ Motor:** Enciende el motor activando la última velocidad seleccionada (antes de haberlo apagado por última vez). Aumenta la velocidad del motor hasta llegar a la velocidad máxima (NO INTENSIVA).

Si se pulsa durante 2" se activa el Timer de 5 minutos RESALTADO por el destello de los led relativos a la velocidad de ejecución. Si se pulsa durante 2" cuando el Timer está activado, éste se ELIMINA.

P5) **INT:** Funciona sólo con MOTOR ON.

Si pulsa una vez, activa la PRIMERA intensiva. Si pulsa una segunda vez, activa la SEGUNDA intensiva. Si pulsa una TERCERA vez, vuelve a la velocidad seleccionada antes de la intensiva (o sea una de las primeras 4).

L1) Los 4 led VERDES señalan la velocidad en ejecución.

L2) **Led Bicolor:** VERDE = indica la primera velocidad intensiva. ROJO = indica la segunda velocidad intensiva.

ALARMA DE FILTROS:

Después de 30 h de funcionamiento, los primeros 2 leds (L1) relampaguean; indica que se deben limpiar los filtros antigrasa. Después de 120 h de funcionamiento, los últimos 2 leds (L1) relampaguean; indica que se deben limpiar los filtros antigrasa y sustituir los filtros de carbón.

En cuanto los filtros antigrasa estén limpios (o sustituidos los filtros de carbón), presione la tecla P3 durante la visualización de la alarma de filtros, para que se reanude el conteo de las horas (RESET).

MANDOS de la Fig.23:

A) apaga las luces.

B) enciende las luces.

C) Disminuye la velocidad del motor hasta llegar a cero. Si se mantiene pulsado durante 2", cuando está activa la Alarma de filtros, el conteo de las HORAS se pone a cero.

D) Enciende el motor (restableciendo la última velocidad utilizada) y aumenta la velocidad hasta llegar a la máxima.

E) Activa/desactiva el Sensor (modo AUTOMÁTICO o MANUAL). En modo Automático, el sensor está activo y en el Visor (L) aparece la letra "A".

L) Visor:

- indica la velocidad en funcionamiento

- indica el modo Automático "A" con la visualización de la letra "A". Al cambiar la velocidad del motor, se visualiza la velocidad en funcionamiento con tres parpadeos; a continuación vuelve a visualizarse la letra "A".

- indica la Alarma de filtros (con el motor apagado) con la visualización del segmento central durante 30".

ALARMA DE FILTROS: se resalta con el motor apagado durante 30":

Después de 30 h de funcionamiento, en el visor se ilumina el segmento central; indica que se deben limpiar los filtros antigrasa.

Después de 120 h de funcionamiento, en el visor parpadea el segmento central; indica que se deben limpiar los filtros antigrasa y sustituir los filtros de carbón.

En cuanto los filtros antigrasa estén limpios (o sustituidos los filtros de carbón), presione la tecla C durante la visualización de la alarma de filtros, para que se reanude el conteo de las horas (RESET).

SENSIBILIDAD DEL SENSOR DE GAS: la sensibilidad del sensor puede modificarse dependiendo de las propias necesidades. Para modificar esta sensibilidad, el aparato debe estar en modo manual (es decir, en el visor no debe aparecer la letra "A", sino la velocidad en funcionamiento); En caso contrario, presione la tecla E.

Modifique la sensibilidad presionando al mismo tiempo la tecla D y la tecla E. En el visor se indicará la sensibilidad programada. Con los pulsadores C(-) y D(+) se programa la sensibilidad deseada. Memorice la "nueva" sensibilidad presionando la tecla E.

ATENCIÓN: PARA EVITAR DAÑAR EL SENSOR, ¡NO USE PRODUCTOS SILICÓNICOS CERCA DE LA CAMPANA!

MANDOS de la Fig.24:

A) Disminuye la sensibilidad luminosa al mínimo. Presionando la tecla durante 2", se apagan las luces.

B) enciende las luces restableciendo el último nivel de luminosidad programado. Aumenta la intensidad luminosa al máximo.

C) Disminuye la velocidad del motor hasta llegar a la velocidad mínima. Si se mantiene pulsado durante 2", el motor se apaga.

Si se mantiene pulsado durante 2", cuando está activa la Alarma de filtros, el conteo de las HORAS se pone a cero.

D) Enciende el motor (restableciendo la última velocidad utilizada) y aumenta la velocidad hasta llegar a la máxima.

E) Activa/desactiva el Sensor (modo AUTOMÁTICO o MANUAL). En modo Automático, el sensor está activo y en el Visor

(L) aparece la letra "A".

L) Visor:

- indica la velocidad en marcha.

- indica el modo Automático "A" con la visualización de la letra "A". Al cambiar la velocidad del motor, se visualiza la velocidad en funcionamiento con tres parpadeos; a continuación vuelve a visualizarse la letra "A".

- indica la Alarma de filtros (con el motor apagado) con la visualización del segmento central durante 30".

ALARMA DE FILTROS: se resalta con el motor apagado durante 30":

Después de 30 h de funcionamiento, en el visor aparece la letra "F"; indica que se deben limpiar los filtros antigrasa.

Después de 120 h de funcionamiento, en el visor parpadea la letra "F"; indica que se deben limpiar los filtros antigrasa y sustituir los filtros de carbón.

En cuanto los filtros antigrasa estén limpios (o sustituidos los filtros de carbón), presione la tecla C durante la visualización de la alarma de filtros, para que se reanude el conteo de las horas (RESET).

SENSIBILIDAD DEL SENSOR DE GAS: la sensibilidad del sensor puede modificarse dependiendo de las propias necesidades. Para modificar esta sensibilidad, el aparato debe estar en modo manual (es decir, en el visor no debe aparecer la letra "A", sino la velocidad en funcionamiento); En caso contrario, presione la tecla E.

Modifique la sensibilidad presionando al mismo tiempo la tecla D y la tecla E. En el visor se indicará la sensibilidad programada. Con los pulsadores C(-) y D(+) se programa la sensibilidad deseada. Memorice la "nueva" sensibilidad presionando la tecla E.

ATENCIÓN: PARA EVITAR DAÑAR EL SENSOR, ¡NO USE PRODUCTOS SILICÓNICOS CERCA DE LA CAMPANA!

MANDOS de la Fig.25:

A) Enciende y apaga las LUCES.

1) Acciona el motor a la primera velocidad (el led se ilumina). Pulsando el led durante 2 segundos, el motor se apaga.

2) Acciona el motor a la segunda velocidad (el led se ilumina). Los otros leds referidos a las velocidades quedan apagados.

3) Acciona el motor a la tercera velocidad (el led se ilumina). Los otros leds referidos a las velocidades quedan apagados.

4) Acciona el motor a la cuarta velocidad (el led se ilumina). Los otros leds referidos a las velocidades quedan apagados.

B) Acciona el TIMER (el led se ilumina). Accionando el Timer (5 minutos), el motor se apaga automáticamente después de 5 minutos.

C) ALARMAS DE FILTROS. Después de 30 h de funcionamiento, el led se ilumina para avisar que se debe limpiar el filtro o los filtros antigrasa.

Después de 120 h de funcionamiento, el led parpadea para avisar que se debe limpiar el filtro o los filtros antigrasa y que se deben sustituir los filtros de carbón.

Para reanudar el recuento de las horas, poner en cero pulsando sobre el led mientras está iluminado (o durante el parpadeo).

Filtros antigrasa: Los filtros antigrasa requieren una atención particular ya que deben ser limpiados periódicamente, cuando aparece la alarma correspondiente. Las instrucciones sobre la alarma de los filtros se encuentran en el apartado Mandos. Desmontar los filtros como se describe en el punto 1 y lavarlos con detergente neutro.

Filtros al carbón: En caso de aparato con versión filtrante, es necesario sustituir los filtros al carbón periódicamente, cuando aparece la alarma correspondiente. Las instrucciones sobre la alarma de los filtros se encuentran en el apartado Mandos. Desmontaje del o de los filtros al carbón: quitar la rejilla metálica (Fig.3) y el filtro antigrasa (Fig.4, 5 ó 6). Sacar el filtro de carbón apretando el cierre hacia el interior, girar el filtro hasta sacar las dos lengüetas de sus sedes (Fig.20).

Iluminación: Para acceder a las lámparas es necesario quitar el soporte metálico destornillando los dos tornillos (Fig.26) y apartarlo hacia la derecha; para reemplazar lámparas halógenas, abra la tapa haciendo palanca sobre las hendiduras apropiadas (Fig.27). Sustituir con lámparas del mismo tipo. **ATENCIÓN:** No toque el bulbo con las manos desnudas.

PORTUGUÊS

DESCRIÇÃO

O aparelho pode ser instalado na versão filtrante ou na versão aspirante.

Versão filtrante (Fig.1): o exaustor aspira o ar impregnado de fumos e cheiros da cozinha, depurando-o através dos filtros anti-gordura e dos filtros de carvão, e depois reintroduz o ar purificado no ambiente. Para que a sua eficiência seja constante, é necessário substituir os filtros de carvão periodicamente. Os filtros de carvão não são fornecidos com o equipamento.

Versão aspirante (Fig.2): o exaustor aspira o ar impregnado de fumos e cheiros da cozinha, fazendo-o passar através dos filtros anti-gordura, e depois expele-o para o exterior através de uma conduta de descarga. Nesta versão não é necessário utilizar o filtro de carvão. Decidir, inicialmente, o tipo de instalação desejada (filtrante ou aspirante). Para maior eficiência, aconselhamos que o exaustor seja instalado na versão aspirante (se possível).

Aviso: Se não instalar os parafusos ou dispositivo de fixação de acordo com essas instruções pode resultar em riscos de danos elétricos.

INSTALAÇÃO

ATENÇÃO: para montar este aparelho são necessárias pelo menos duas pessoas; sugerimos a utilização de pessoal especializado para realizar as operações de instalação. Antes de proceder às operações de montagem, é conveniente desmontar os filtros anti-gordura para poder manipular mais facilmente o aparelho.

1. Remoção da grelha metálica (presente só em determinados modelos): puxar o bloco e deslocar a grelha metálica em direcção ao alto (Fig.3).

Remoção dos filtros anti-gordura (ver a Figura 4, 5 ou 6 consoante o modelo que tiver adquirido):

Fig. 4 ou 5: retirar o filtro anti-gordura empurrando-o para baixo e rodando-o na direcção do exterior.

Fig. 6: abrir o painel em vidro; puxar o retentor e rodar o filtro para o exterior.

INSTALAÇÃO NA VERSÃO ASPIRANTE: Antes da fixação é necessário preparar a conduta para evacuação de ar, no exterior. Utilizar uma conduta de descarga que tenha: - o comprimento mínimo indispensável; - o menor número de curvas possível (ângulo máximo da curva:90°); - material aprovado pelos regulamentos de lei existentes (de acordo com o Estado); - o lado de dentro o mais liso possível. Aconselha-se ainda evitar mudanças drásticas de secção de tubo (diâmetro aconselhado: 150 mm). Para a evacuação de ar para o exterior, seguir todas as indicações dadas na folha "Advertências". Preparar a alimentação eléctrica dentro dos limites do espaço ocupado pelo tubo decorativo (para a ligação eléctrica, seguir as indicações dadas na folha "Advertências").

2. Montar a placa da instalação eléctrica (consoante o modelo adquirido) fixando-a com os 2 parafusos e as 2 anilhas metálicas (Fig.7).

3. Fixação na parede: Traçar uma linha na parede, sobre a vertical da placa do seu fogão. Marcar na parede os 2 primeiros furos a fazer, respeitando as medidas indicadas na Fig.8; fazer os 2 furos e introduzir as buchas (fornecidas com o aparelho). Conforme já referimos na folha das "Advertências", é necessário ter presente que a distância entre a borda inferior do exaustor e a placa do fogão deve ser igual a 350 mm. Fixar o suporte metálico (A) na parede, utilizando os 2 furos acabados de fazer - Fig.9 - (os parafusos para fixar o referido suporte são fornecidos com o aparelho). Utilizar os 2 triângulos recortados no suporte para o colocar exactamente ao longo do eixo vertical do exaustor. Prender então o exaustor ao suporte (Fig. 10). Regular a horizontalidade do exaustor de acordo com o alinhamento dos armários de cozinha, deslocando-o para a direita ou para a esquerda. Se houver necessidade de regular também a altura do exaustor, mexer nos parafusos de regulação específicos (B) (fornecidos com o aparelho). Terminada a regulação, marcar na parede os outros 6 furos a fazer (C), sem tirar o exaustor da posição em que se encontra; despenderar o exaustor e fazer os furos nos pontos marcados (diâmetro 8mm); utilizar depois as 6 buchas e os 6 parafusos (fornecidos) para a fixação definitiva.

4. Montar a manilha na boca da saída do ar do aparelho exercitando uma leve pressão (Fig.11).

5. Fixação dos tubos telescópicos:

5a - Montar o suporte tubo utilizando os 4 parafusos em dotação (Fig.12); fixar depois o suporte no tecto com as buchas e parafusos (F) fornecidos, sobre o eixo de simetria vertical do exaustor (Fig.13).

5b - Ligar a conduta para evacuação do ar à boca de saída de ar do exaustor; utilizar um tubo flexível e fixá-lo à boca de saída de ar com uma braçadeira metálica - Fig.14 - (o tubo e a braçadeira não são fornecidos com aparelho). Para a versão aspirante, inverter o tubo superior de maneira a fazer com que as grelhas de evacuação de ar fiquem para baixo (Fig.15).

5c - Fazer a ligação eléctrica do exaustor ligando o cabo de alimentação. Inserir os tubos telescópicos apoiando-os por cima do exaustor; levantar o tubo superior até ao tecto e fixá-lo com os 2 parafusos H (Fig.16).

INSTALAÇÃO NA VERSÃO FILTRANTE: Preparar a alimentação eléctrica dentro dos limites do espaço ocupado pelo tubo decorativo (para a ligação eléctrica, seguir as indicações dadas na folha "Advertências").

Fixação à parede: para a fixação à parede, começar por seguir as instruções dadas para a versão aspirante (ver pontos 2, 3, 4) e depois prosseguir de acordo com as instruções que damos abaixo.

Fixação dos tubos telescópicos: - Montar o suporte tubo utilizando os 4 parafusos em dotação (Fig.12);

- Fixar depois o suporte no tecto com as buchas e parafusos (F) fornecidos, colocando-o sobre o eixo de simetria vertical do exaustor (Fig. 13). - Montar a redução por cima do exaustor, na posição correspondente ao ponto de saída de ar (Fig.17).

- Agarrar no deflector de ar e fixar nele um tubo flexível (com 125 mm de diâmetro), imobilizando-o com uma braçadeira metálica (o tubo e as braçadeiras não são fornecidos com o exaustor); fixar o deflector de ar ao tubo superior (Fig.18) com 4 parafusos.

- Ligar o tubo flexível à redução existente na boca de saída de ar (Fig.19).

- Fazer a ligação eléctrica do exaustor ligando o cabo de alimentação. - Inserir os tubos telescópicos apoiando-os por cima do exaustor; levantar o tubo superior até ao tecto e fixá-lo com os 2 parafusos H (Fig.16).

- Montar o filtro de carvão introduzindo as 2 linguetas do filtro na respectiva sede (Fig.20) e rodando-o para cima.

FUNCIONAMENTO

Os comandos variam de acordo com a versão do aparelho. Os tipos de comandos existentes são os seguintes:

COMANDOS da Fig.21:

A) Desliga as LUZES.

B) Acende as LUZES.

C) Reduz a velocidade até atingir a velocidade mínima. Se pressionado durante 2" desliga-se o motor.

D) Acciona o motor (lembrando a última velocidade utilizada) e aumenta a velocidade até chegar à máxima.

E) RESET ALARME FILTROS/TEMPORIZADOR: pressionando a tecla durante a visualização do alarme filtros (com o motor desligado) reinicia a contagem das horas. Pressionando a tecla durante o funcionamento do motor, activa-se o TEMPORIZADOR, razão pela qual o exaustor desliga-se automaticamente após 5 minutos.

L1) Os 4 LED VERDES indicam a velocidade em execução.

L2) Quando o LED é vermelho (com o motor desligado) indica o ALARME FILTROS. Quando o LED é verde (intermitente) indica que foi accionado o TEMPORIZADOR através da tecla E.

ALARME DOS FILTROS:

Ao fim de 30h de funcionamento, o Led L2 passa a VERMELHO. indica que os filtros anti-gordura devem ser limpos.

Ao fim de 120h de funcionamento o Led L2 passa a VERMELHO intermitente; indica que os filtros anti-gordura devem ser limpos e os filtros de carvão devem ser substituídos.

Terminada a limpeza dos filtros anti-gordura (e/ou substituídos os filtros de carvão), para reiniciar a contagem das horas (RESET) premir a tecla E durante a visualização do alarme dos filtros.

COMANDOS da Fig.22:

P1) **OFF/- Luz:** Diminui a intensidade luminosa até atingir o mínimo. Se for premido por 2", as luzes apagam-se.

P2) **ON/+ Luzes:** Acende as luzes com a intensidade do último nível de luminosidade programado (o mesmo que tinham antes de terem sido desligadas pela última vez). Aumenta a intensidade luminosa até atingir o máximo.

P3) **OFF/- Motor:** Diminui a velocidade até atingir a velocidade mínima. Se for premido por 2", o motor desliga-se. Se for premido por 2" com o ALARME FILTROS activo, põe o contador de HORAS a zero.

P4) **ON/+ Motor:** Liga o motor com a mesma velocidade da última programada (a mesma que tinha antes de ter sido desligado pela última vez).

Aumenta a velocidade do motor até atingir a velocidade máxima (NÃO INTENSIVAS).

Se for premido por 2", activa-se o Timer de 5 minutos, facto SINALIZADO através da luz intermitente emitida pelos leds correspondentes à velocidade em execução.

Se for premido por 2" com o Timer activo, faz com que este último seja ELIMINADO.

P5) **INT:** Só funciona com o MOTOR em ON (ligado).

Se for premido uma vez activa a PRIMEIRA intensiva, duas vezes activa a SEGUNDA intensiva, TRÊS vezes retoma a velocidade que estava definida antes da intensiva (ou seja, uma das 4 primeiras).

L1) Os 4 LED VERDES indicam a velocidade em execução.

L2) **Led Bicolor:** VERDE = indica primeira velocidade intensiva. VERMELHO = indica segunda velocidade intensiva.

ALARME DOS FILTROS:

Ao fim de 30h de funcionamento, os primeiros 2 LED (L1) piscam; indica que os filtros anti-gordura devem ser limpos.

Ao fim de 120h de funcionamento os últimos 2 LED (L1) piscam; indica que os filtros anti-gordura devem ser limpos e os filtros de carvão devem ser substituídos.

Terminada a limpeza dos filtros anti-gordura (e/ou substituídos os filtros de carvão), para reiniciar a contagem das horas (RESET) premir a tecla P3 durante a visualização do alarme dos filtros.

COMANDOS da Fig.23:

A) apaga as luzes;

B) liga as luzes;

C) Diminui progressivamente a velocidade do motor até chegar a zero. Se for premido por 2" quando o Alarme dos Filtros estiver activado, o contador de HORAS passa a zero.

D) Acciona o motor (relembrando a última velocidade utilizada) e aumenta a velocidade até chegar à velocidade máxima.

E) Activa/desactiva o Sensor (modo de funcionamento AUTOMÁTICO ou MANUAL). No modo Automático o sensor está activo e no Display (L) aparece a letra "A".

L) Display:

- indica a velocidade em execução

- indica o modo Automático através da visualização da letra "A". Ao mudar a velocidade do motor, a velocidade em execução é visualizada por sinal luminoso intermitente que se acende 3 vezes, e a letra "A" reaparece.

- indica o Alarme dos Filtros (com o motor desligado) através da visualização do segmento central durante 30".

ALARME DOS FILTROS: aparece indicado, durante 30", quando o Motor estiver Desligado:

Após 30h de funcionamento, no display ilumina-se o segmento central; indica que os filtros anti-gordura devem ser limpos.

Após 120h de funcionamento, no display pisca o segmento central; indica que os filtros anti-gordura devem ser limpos e os filtros de carvão devem ser substituídos.

Terminada a limpeza dos filtros anti-gordura (e/ou substituídos os filtros de carvão), para reiniciar a contagem das horas (RESET) premir a tecla C durante a visualização do alarme dos filtros.

SENSIBILIDADE DO SENSOR DE GÁS: a sensibilidade do sensor pode ser alterada de acordo com as exigências de cada um. Para alterar esta sensibilidade, o aparelho deve estar no modo manual (ou seja no display não deve aparecer a letra "A" mas a velocidade de execução); se assim não for, premir a tecla E.

Modificar a sensibilidade pressionando simultaneamente a tecla D e a tecla E. No display será evidenciada a sensibilidade programada. Utilizando os botões C(-) e D(+), poderá definir a sensibilidade desejada. Memorizar a "nova" sensibilidade pressionando a tecla E.

ATENÇÃO: PARA EVITAR DANIFICAR O SENSOR, NÃO UTILIZAR PRODUTOS COM SILICONE À PROXIMIDADE DA CAMPÂNULA!

COMANDOS da Fig.24:

- A) Diminui a intensidade luminosa até ao mínimo. Pressionando a tecla durante 2" as luzes desligam.
B) Liga as luzes relembrando o último nível de luminosidade programado. Aumenta a intensidade luminosa até ao máximo.
C) Diminui a velocidade do motor até atingir a velocidade mínima. Se for premido por 2", o motor desliga-se. Se for premido por 2" quando o Alarme dos Filtros estiver activado, o contador de HORAS passa a zero.
D) Acciona o motor (relembrando a última velocidade utilizada) e aumenta a velocidade até chegar à velocidade máxima.
E) Activa/desactiva o Sensor(modo de funcionamento AUTOMÁTICO ou MANUAL). No modo Automático o sensor está activo e no Display (L) aparece a letra "A".

L) Display:

- indica a velocidade em execução.

- indica o modo Automático através da visualização da letra "A". Ao mudar a velocidade do motor, a velocidade em execução é visualizada por sinal luminoso intermitente que se acende vezes, e a letra "A" reaparece.

- indica o Alarme dos Filtros (com o motor desligado) através da visualização do segmento central durante 30".

ALARME DOS FILTROS: aparece indicado, durante 30", quando o Motor estiver Desligado:

Após 30h de funcionamento, no display aparece a letra "F"; indica que os filtros anti-gordura devem ser limpos.

Após 120h de funcionamento, no display pisca a letra "F"; indica que os filtros anti-gordura devem ser limpos e os filtros de carvão devem ser substituídos.

Terminada a limpeza dos filtros anti-gordura (e/ou substituídos os filtros de carvão), para reiniciar a contagem das horas (RESET) premir a tecla C durante a visualização do alarme dos filtros.

SENSIBILIDADE DO SENSOR DE GÁS: a sensibilidade do sensor pode ser alterada de acordo com as exigências de cada um. Para alterar esta sensibilidade, o aparelho deve estar no modo manual (ou seja no display não deve aparecer a letra "A" mas a velocidade de execução); se assim não for, premir a tecla E.

Modificar a sensibilidade pressionando simultaneamente a tecla D e a tecla E. No display será evidenciada a sensibilidade programada. Utilizando os botões C(-) e D(+), poderá definir a sensibilidade desejada. Memorizar a "nova" sensibilidade pressionando a tecla E.

ATENÇÃO: PARA EVITAR DANIFICAR O SENSOR, NÃO UTILIZAR PRODUTOS COM SILICONE À PROXIMIDADE DA CAMPÂNULA!

COMANDOS da Fig.25:

A) Liga e desliga as LUZES

1) Acciona o motor na primeira velocidade (o ícone se ilumina). Se se carregar por cerca de 2 segundo no ícone, o motor pára.

2) Acciona o motor na segunda velocidade (o ícone se ilumina). Todos os ícones referentes às velocidades permanecem desligados.

3) Acciona o motor na terceira velocidade (o ícone se ilumina). Todos os ícones referentes às velocidades permanecem desligados.

4) Acciona o motor na quarta velocidade (o ícone se ilumina). Todos os ícones referentes às velocidades permanecem desligados.

B) Acciona o TIMER (o ícone se ilumina). Accionando o Timer (5 minutos), o motor pára automaticamente depois de 54 minutos.

C) ALARME FILTROS. Depois que tiver funcionado por 30h, o ícone se ilumina para indicar que é preciso limpar o/os filtros/ s anti-gordura.

Depois que tiver funcionado por 120h, o ícone pisca para indicar que é preciso limpar o/os filtro/s anti-gordura e substituir os filtros ao carvão.

Para fazer com que a contagem inicie novamente, restabelecê-la carregando sobre o ícone quando estiver iluminada (ou quando estiver a piscar).

Filtros anti-gordura: os filtros anti-gordura necessitam de atenção especial, porque devem de ser limpos periodicamente, ou seja, sempre que aparecer o alarme dos filtros anti-gordura. Para instruções sobre o Alarme dos filtros consultar o parágrafo intitulado Comandos. Desmontar os filtros como indicado no ponto 1 e lavá-los com detergente neutro.

Filtros de carvão: em caso de utilização do aparelho na versão filtrante, é necessário substituir os filtros de carvão periodicamente, ou seja, sempre que aparecer o alarme dos filtros de carvão. Para instruções sobre o Alarme dos filtros consultar o parágrafo intitulado Comandos. Desmontagem do filtro de carvão: retirar a grelha metálica (Fig.3) e o filtro anti-gordura (Fig.4, 5 ou 6).

Remover o filtro de carvão carregando no bloco para o interior, rodando o filtro até as duas linguetas saírem da sua sede (Fig.20).

Iluminação: para acender as lâmpadas ocorre remover o suporte metálico desaparafusando os dois parafusos (Fig.26) e deslocá-lo para a esquerda; para substituir as lâmpadas halógenas , abra a tampa, exercendo um efeito de alavanca graças às fissuras previstas para esse efeito. Substitua as lâmpadas por lâmpadas do mesmo tipo (Fig.27). **ATENÇÃO:** nunca toque numa lâmpada com as mãos nuas.Substituir com lâmpadas do mesmo tipo.

BESCHRIJVING

De wasemkap kan worden gebruikt in de filter- of afzuigversie.

Filterversie (afb. 1): de afzuigkap zuigt de met verbrandingsgassen en onaangename luchtjes doordrongen kooklucht af en zuivert de lucht via de vefilters en het koolstoffilter waarna de schone lucht weer in de ruimte geblazen wordt. Om ervoor te zorgen dat de werking voortdurend doeltreffend is moeten het koolstoffilters regelmatig vervangen worden. De koolstoffilters zijn niet bijgeleverd.

Afzuigversie (afb.2): de afzuigkap zuigt de met verbrandingsgassen en onaangename luchtjes doordrongen kooklucht af en zuivert ervoor dat de lucht door de vefilters gaat en vervolgens via een afvoerpijp rechtstreeks naar buiten geleid wordt. Bij deze versie is de toepassing van koolstoffilters niet nodig. Bepaal vanaf het begin het type installatie (filter- of afzuigversie). Voor een grotere doeltreffendheid adviseren wij u om (indien mogelijk) de afzuigkap in de afzuigversie te installeren.

Waarschuwing: Als u de schroeven of bevestiging apparaat te installeren in overeenstemming met deze instructies kan leiden tot elektrische gevaren.

INSTALLATIE

LET OP: Dit apparaat moet door minstens twee personen gemonteerd worden. De installatie kan het beste overgelaten worden aan vakmensen. Voor de montage de vefilters verwijderen. Zo wordt het werk vergemakkelijkt.

1. **Verwijdering van de metalen rooster** (alleen aanwezig in bepaalde modellen): trek aan de stop en plaats het metalen rooster omhoog (Afb.3).

Verwijdering van de vefilters (zie afb. 4, 5 of 6, afhankelijk van het model dat u heeft aangeschaft):

Afb. 4 of 5: Verwijder het vefilter door het omlaag te duwen en het in buitenwaartse richting te draaien.

Afb. 6: het glazen paneel openen; duw tegen de grendel en draai de filter naar buiten.

INSTALLATIE IN DE AFZUIGVERSIE: Alvorens de afzuigkap te bevestigen moet u eerst de pijp voor de luchtafvoer naar buiten in orde maken. Gebruik een afvoerpijp die de volgende eigenschappen heeft: - minimum benodigde lengte; - zo min mogelijk bochten (maximaal toegestane hoek van de bochten: 90°); - materiaal dat goedgekeurd is volgens de voorschriften (afhankelijk van het land); - binnenkant zo glad mogelijk. Er wordt bovendien geadviseerd om drastische veranderingen van de doorsnede van de pijp te vermijden (geadviseerde diameter: 150 mm). Om de lucht naar buiten af te voeren moet u alle andere aanwijzingen die op het blad "Opgelet" staan opvolgen. Bereid de elektrische voeding voor binnen het ruimtebeslag van de sierpijp (volg voor de elektrische aansluiting alle andere aanwijzingen op die vermeld worden in het blad "Opgelet").

2. **Monteer de plaat van de elektrische installatie** (afhankelijk van de versies) door hem vast te zetten met 2 schroeven en 2 metalen schijfjes (Afb.7).

3. **Bevestiging aan de muur:** teken op de verticale aslijn van uw kookplaat een lijn op de muur af. Teken de 2 gaten die geboord moeten worden op de muur af en houd daarbij de maten aan die op afb. 8 staan; boor de 2 gaten en steek er de (meegeleverde) pluggen in. Zoals reeds vermeld in het blad "Opgelet" moet u er rekening mee houden dat de afstand tussen de onderste rand van de afzuigkap en de kookplaat 350 mm moet bedragen. Bevestig de metalen beugel (A) aan de muur in de 2 juist geboorde gaten - afb.9 - (de schroeven voor bevestiging van de beugel zijn bijgeleverd). Gebruik de beide driehoekjes die uitgesneden zijn in de beugel om de beugel exact langs de verticale aslijn van de afzuigkap te plaatsen.

Haak de afzuigkap daarna aan de beugel (Afb.10). Stel de horizontale positie af door de afzuigkap naar rechts of naar links te verplaatsen zodat de afzuigkap precies op één lijn met de keukenkasten komt te zitten. Mocht het noodzakelijk zijn om de afzuigkap ook in de hoogte af te stellen, dan moet u aan de speciale stelschroeven (B) draaien (meegeleverd). Teken na de afstelling, zonder de kap weg te halen, de andere 6 gaten die moeten worden geboord (C) af op de muur; haak de kap los en boor de gaten die u getekend heeft (diameter 8mm); maak vervolgens gebruik van de 6 meegeleverde pluggen en schroeven om de afzuigkap definitief te bevestigen.

4. **Monteer de flens** op de opening van de luchtuitgang van het apparaat door een lichte druk uit te oefenen (Afb.11).

5. **Bevestiging van de telescopische pijp:**

5a - Zet de buishouder in elkaar met gebruik van de 4 bijgeleverde schroeven (Afb.12); Zet vervolgens de beugel vast aan het plafond, met de bijgeleverde pluggen en schroeven (F), zodat hij recht is ten opzichte van de kap (Afb.13).

5b - Verbind de luchtafvoerpijp met de luchtafvoeropening van de kap; gebruik een buigzame slang en zet deze aan de luchtafgang van de afzuigkap vast met een metalen bandje - afb.14 - (slang en bandje worden niet bijgeleverd). Bij de afzuigversie moet de bovenste pijp ondersteboven geplaatst worden zodat de luchtafvoerroosters aan de onderkant komen te zitten (Afb.15).

5c - Breng de elektrische aansluiting van de afzuigkap door middel van de voedingskabel tot stand. Doe de telescopische pijpen erin en laat ze op de afzuigkap steunen; doe de bovenste pijp tot aan het plafond omhoog en maak hem met de beide schroeven (H) – Afb.16 vast.

INSTALLATIE IN DE FILTERVERSIE: Bereid de elektrische voeding voor binnen het ruimtebeslag van de sierpijp (volg voor de elektrische aansluiting alle andere aanwijzingen op die vermeld worden in het hoofdstuk "Waarschuwingen").

Bevestiging aan de muur: zie de aanwijzingen voor de afzuigversie om de kap aan de muur te bevestigen (zie punt 2, 3, 4), en ga vervolgens verder met onderstaande aanwijzingen.

Bevestiging van de telescopische pijpen: Zet de buishouder in elkaar met gebruik van de 4 bijgeleverde schroeven (Afb.12); - Zet vervolgens de beugel vast aan het plafond, met de bijgeleverde pluggen en schroeven (F), zodat hij recht is ten opzichte van de kap (Afb.13). - Monteer het verloopstuk ter hoogte van het luchtuitlaatpunt op de afzuigkap (Afb.17). - Neem het afbuigrooster en zet er een buigzame slang op vast (diameter 125 mm), en blokkeer hem met een metalen bandje (slang en bandjes worden niet bijgeleverd); bevestig het afbuigrooster aan de bovenste slang (Afb.18) met 4 schroeven.

- Verbind de slang met de reductie op de luchtuitgangsoopening (Afb.19).

- Breng de elektrische aansluiting van de afzuigkap tot stand met de voedingskabel. Steek de telescopische pijpen erin en laat ze op de afzuigkap steunen; schuif de bovenste pijp tot aan het plafond omhoog en maak hem met de beide schroeven (H) Afb.16 vast.

- Installeer de koolstofilter door de 2 lipjes van de filter in de daarvoor bestemde behuizing te steken (Afb.20) en draai hem naar boven.

WERKING

Afhankelijk van de versies is het apparaat uitgerust met de volgende bedieningselementen:

BEDIENINGSELEMENTEN van Afb.21:

A) Lampjes uit.

B) Lampjes aan.

C) Verlaagt de snelheid, tot aan de minimum snelheid. Indien gedurende 2" ingedruwd, valt de motor stil.

D) Start de motor (de laatst gebruikte snelheid wordt opgeroepen) en versnel maximaal.

E) **RESET FILTERALARM / TIMER:** de knop indrukken tijdens de weergave van het filteralarm (bij uitgeschakelde motor) om de timer terug te stellen. De knop indrukken terwijl de motor draait om de TIMER in te schakelen. De kap wordt na 5 minuten automatisch uitgeschakeld.

L1) De 4 GROENE leds geven de bedrijfssnelheid weer.

L2) Wanneer de LED rood is (bij uitgeschakelde motor) wijst dit op het FILTERALARM. Wanneer de LED groen is (knipperend) wijst dit erop dat de TIMER werd ingeschakeld met de knop E.

FILTERALARM:

Na 30u werking, wordt de led L2 ROOD; betekent dat de vetfilters moeten worden gereinigd.

Na 120u werking, wordt de led L2 ROOD en gaat hij knipperen; betekent dat de vetfilters moeten worden gereinigd en de koolstoffilters moeten worden vervangen.

Wanneer de vetfilters gereinigd zijn (en/of de koolstoffilters vervangen zijn), wordt tijdens de weergave van het filteralarm gedrukt op de knop E om de UREN-telling opnieuw te starten (RESET).

BEDIENINGSELEMENTEN van Afb.22:

P1) OFF/- verlichting: verlaagt de lichtsterkte, tot aan de minimum intensiteit. Indien deze toets 2" ingedrukt blijft, gaan de lichten uit.

P2) ON/+ verlichting: schakelt de verlichting in op de laatst ingestelde lichtsterkte (vóór de laatste uitschakeling). Verhoogt de lichtsterkte, tot aan de maximum intensiteit.

P3) OFF/- Motor: verlaagt de snelheid, tot aan de minimum snelheid. Indien deze toets 2" ingedrukt blijft, wordt de motor afgezet. Indien deze toets 2" ingedrukt blijft **wanneer FILTERS ALARM actief is**, wordt de UREN-teller teruggezet op nul.

P4) ON/+ Motor: schakelt de motor in op de laatst ingestelde snelheid (vóór de laatste uitschakeling).

Verhoogt de motorsnelheid, tot aan de maximum snelheid (NIET INTENSIEF).

Indien deze toets 2" ingedrukt blijft, wordt de Timer van 5 minuten geactiveerd, hetgeen AANGEDUID wordt door het knipperen van de leds die bij de op dat moment ingestelde snelheid horen.

Indien deze toets 2" ingedrukt blijft **wanneer de Timer actief is**, wordt deze GEÉLIMINEERD.

P5) INT: functioneert alleen als de MOTOR AAN is.

Bij de eerste keer indrukken, activeert hij de EERSTE intensieve snelheid, als hij een tweede keer ingedrukt wordt, activeert hij de TWEEDE intensieve snelheid, indien hij de DERDE keer ingedrukt wordt keert hij terug naar de snelheid die ingesteld was vóór de intensieve snelheid (d.w.z. één van de eerste 4)

L1) De 4 GROENE leds geven de bedrijfssnelheid weer.

L2) Tweekleurige led: GROEN = geeft de Eerste intensieve snelheid aan. ROOD = geeft de Tweede intensieve snelheid aan.

FILTERALARM:

Na 30 uur werking knipperen de eerste 2 leds (L1). Dit betekent dat de vetfilters gereinigd moeten worden. Na 120 uur werking knipperen de laatste 2 leds (L1). Dit betekent dat de vetfilters gereinigd en de koolstoffilters vervangen moeten worden. Wanneer de vetfilters gereinigd zijn (en/of de koolstoffilters vervangen zijn), wordt tijdens de weergave van het filteralarm gedrukt op de knop P3 om de UREN-telling opnieuw te starten (RESET).

BEDIENINGSELEMENTEN van Afb.23:

A) verlichting uit.

B) verlichting aan.

C) Mindert de snelheid van de motor, tot de nulsnelheid wordt bekomen. Indien hij 2" lang wordt ingedrukt wanneer het Filteralarm actief is, zet hij de UREN-telling terug op nul.

D) Schakelt de motor in (op de laatst gebruikte snelheid) en verhoogt de snelheid van de motor tot de maximale snelheid wordt bereikt.

E) Activeert/deactiveert de Sensor (AUTOMATISCH of HANDBEDIENING). In de Automatische bediening is de sensor actief en verschijnt op de Display (L) de letter "A".

L) Display:

- geeft de huidige snelheid weer

- geeft de Automatische bediening weer aan de hand van de letter "A". Indien de snelheid van de motor wordt gewijzigd, wordt de huidige snelheid 3-maal knipperend weergegeven, waarna opnieuw de letter "A" verschijnt.

- meldt het Filteralarm (motor uitgeschakeld) door het centraal segment 30" lang weer te geven.

FILTERALARM: wordt aangegeven met Uitgeschakelde Motor, gedurende 30":

Na 30u werking, verschijnt op de display het centraal segment; betekent dat de vefilters moeten worden gereinigd.

Na 120u werking, knippert op de display het centraal segment; betekent dat de vefilters moeten worden gereinigd en de koolstoffilters moeten worden vervangen.

Wanneer de vefilters gereinigd zijn (en/of de koolstoffilters vervangen zijn), wordt tijdens de weergave van het filteralarm gedrukt op de knop C om de UREN-telling opnieuw te starten (RESET).

GEVOELIGHEID VAN DE GASSENSOR: de gevoeligheid van de sensor kan volgens de eigen behoefte worden gewijzigd.

Om de gevoeligheid te wijzigen, dient het apparaat zich in de handbediening te vinden (op de display mag niet de letter "A" maar moet de huidige snelheid weergegeven zijn); zo niet, druk op de knop E.

Wijzig de gevoeligheid van de sensor door tegelijk te drukken op de knoppen D en E. De ingestelde gevoeligheid wordt weergegeven op de display. Met de knoppen C(-) en D(+) wordt de gevoeligheid ingesteld Bewaar de "nieuwe" gevoeligheid door te drukken op de knop E.

OPGELET: OM DE SENSOR NIET TE BESCHADIGEN, WORDEN VLAKBIJ DE AFZUIGKAP GEEN SILICONENPRODUCTEN GEBRUIKT!

BEDIENINGSELEMENTEN van Afb.24:

A) Mindert de lichtsterkte tot het minimum. Wanneer 2" op de knop wordt gedrukt, gaat de verlichting uit.

B) schakelt de verlichting in, volgens de laatst ingestelde lichtsterkte. Verhoogt de lichtsterkte tot het maximum.

C) Mindert de snelheid van de motor, tot de minimumsnelheid wordt bereikt. Indien hij 2" lang wordt ingedrukt, wordt de motor uitgeschakeld.

Indien hij 2" lang wordt ingedrukt wanneer het Filteralarm actief is, zet hij de UREN-telling terug op nul.

D) Schakelt de motor in (op de laatst gebruikte snelheid) en verhoogt de snelheid van de motor tot de maximale snelheid wordt bereikt.

E) Activeert/deactiveert de Sensor (AUTOMATISCH of HANDBEDIENING). In de Automatische bediening is de sensor actief en verschijnt op de Display (L) de letter "A".

L) Display:

- geeft de huidige snelheid weer.

- geeft de Automatische bediening weer aan de hand van de letter "A". Indien de snelheid van de motor wordt gewijzigd, wordt de huidige snelheid -maal knipperend weergegeven, waarna opnieuw de letter "A" verschijnt.

- meldt het Filteralarm (motor uitgeschakeld) door het centraal segment 30" lang weer te geven.

FILTERALARM: wordt aangegeven met Uitgeschakelde Motor, gedurende 30":

Na 30u werking, verschijnt op de display de letter "F"; betekent dat de vefilters moeten worden gereinigd.

Na 120u werking, knippert op de display de letter "F"; betekent dat de vefilters moeten worden gereinigd en de koolstoffilters moeten worden vervangen.

Wanneer de vefilters gereinigd zijn (en/of de koolstoffilters vervangen zijn), wordt tijdens de weergave van het filteralarm gedrukt op de knop C om de UREN-telling opnieuw te starten (RESET).

GEVOELIGHEID VAN DE GASSENSOR: de gevoeligheid van de sensor kan volgens de eigen behoefte worden gewijzigd.

Om de gevoeligheid te wijzigen, dient het apparaat zich in de handbediening te vinden (op de display mag niet de letter "A" maar moet de huidige snelheid weergegeven zijn); zo niet, druk op de knop E.

Wijzig de gevoeligheid van de sensor door tegelijk te drukken op de knoppen D en E. De ingestelde gevoeligheid wordt weergegeven op de display. Met de knoppen C(-) en D(+) wordt de gevoeligheid ingesteld Bewaar de "nieuwe" gevoeligheid door te drukken op de knop E.

OPGELET: OM DE SENSOR NIET TE BESCHADIGEN, WORDEN VLAKBIJ DE AFZUIGKAP GEEN SILICONENPRODUCTEN GEBRUIKT!

BEDIENINGSELEMENTEN van Afb.25:

A) LAMPJES aan en uit.

1) Start de motor in de eerste snelheid (de icoon gaat aan). Door ong. 2 seconden op de icoon te drukken, valt de motor stil.

2) Start de motor in de tweede snelheid (de icoon gaat aan). Al de andere iconen met betrekking op de snelheid blijven uit.

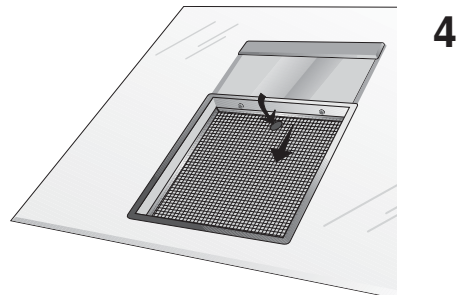
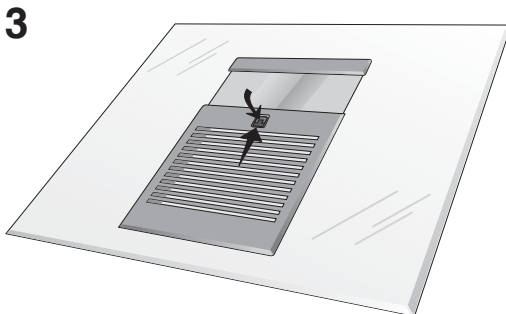
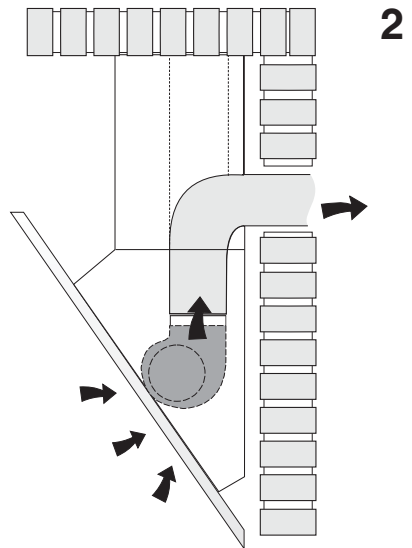
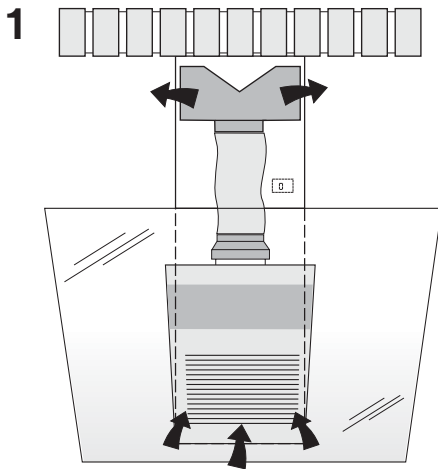
3) Start de motor in de derde snelheid (de icoon gaat aan). Al de andere iconen met betrekking op de snelheid blijven uit.

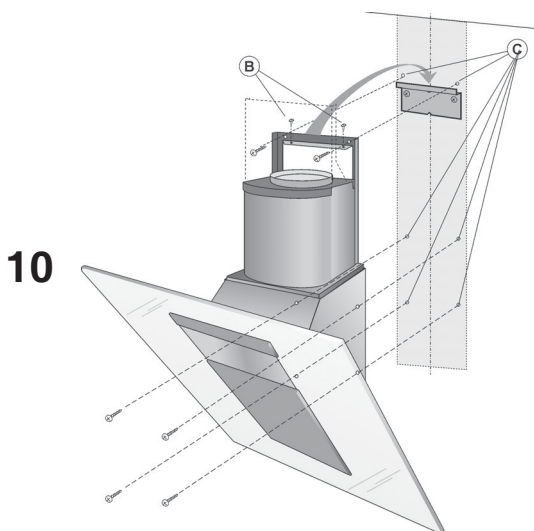
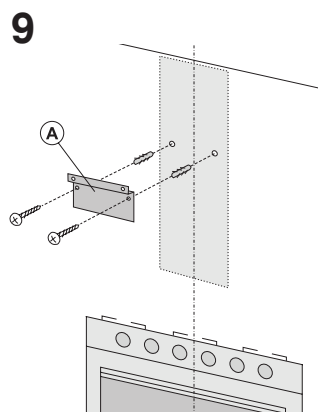
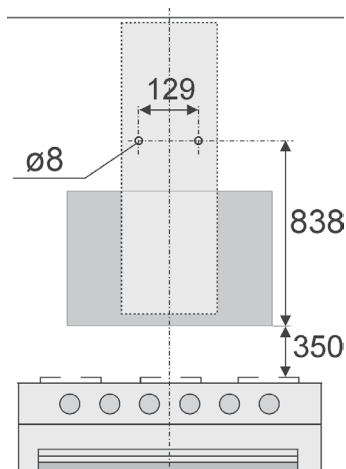
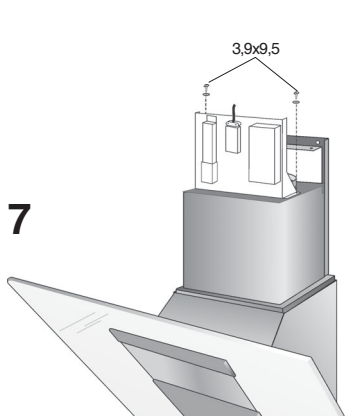
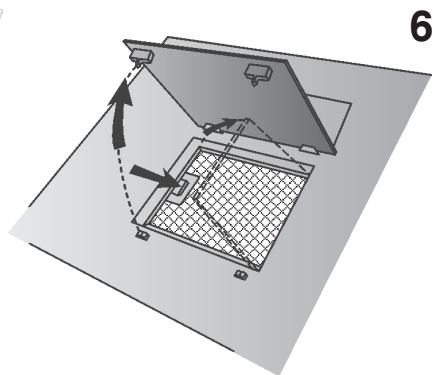
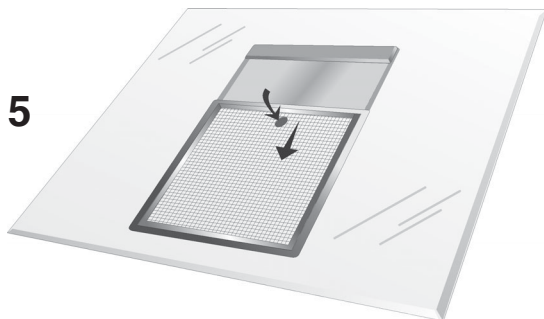
- 4) Start de motor in de vierde snelheid (de icoon gaat aan). Al de andere iconen met betrekking op de snelheid blijven uit.
- B) Start de TIMER (de icoon gaat aan). Door de Timer in werking te stellen (5 minuten), valt de motor automatisch na 5 minuten stil.
- C) FILTERALARM. Na 30u werking gaat de icoon aan, om erop te wijzen dat de vetfilter(s) gereinigd moeten worden. Na 120u werking gaat de icoon knipperen om erop te wijzen dat de vetfilter(s) gereinigd en de koolfilters vervangen moeten worden.
- Om de urentelling opnieuw te starten, resetten door op de icoon te drukken als die aan is (of knippert).

Vetfilters: bijzondere zorg dient te worden besteed aan de vetfilters die regelmatig moeten worden schoongemaakt, wanneer het alarm "vetfilters" verschijnt. Voor instructies over het alarm van de filters, zie de paragraaf Bedieningselementen. Demonteer de filters zoals beschreven onder punt 1 en was hen af met een neutraal reinigingsmiddel.

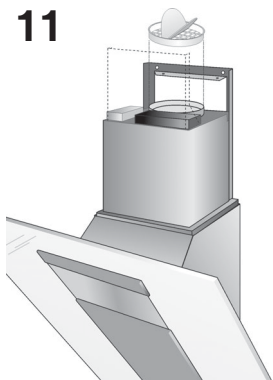
Koolstoffilters: als het apparaat gebruikt wordt in de filterversie, moeten de koolstoffilters periodiek worden vervangen, wanneer het alarm "koolstoffilters" verschijnt. Voor instructies over het alarm van de filters, zie de paragraaf Bedieningselementen. Demontage koolstoffilter(s): Verwijder het metalen rooster (Afb.3) en het vetfilter (Afb. 4, 5 of 6). Verwijder het koolstoffilter door de stop naar binnen te duwen en het filter te draaien tot de twee lipjes uit hun zitting verwijderd worden (Afb.20).

Verlichting: om bij de lampen te kunnen verwijderd u de metalen steun door de twee schroeven los te draaien (Afb.26) en het naar rechts te verplaatsen (Afb.27). Om de halogeenlampen de deksel openen door het op te lichten in de daarvoor bestemde opening. Vervangen met lampen van hetzelfde type. LET OP: het lampje niet met de blote hand aanraken.

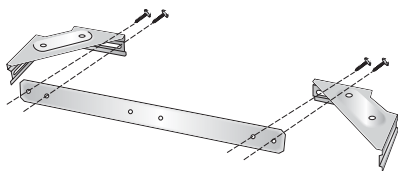




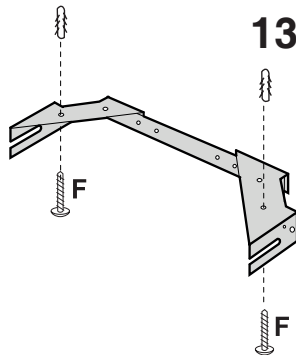
11



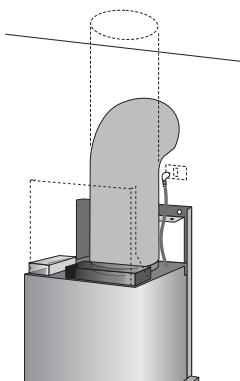
12



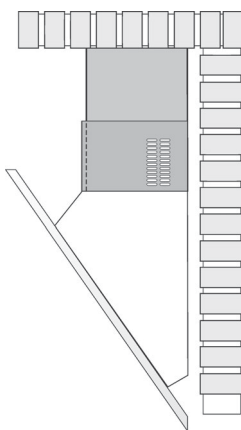
13



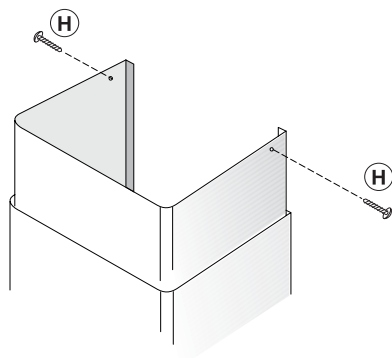
14



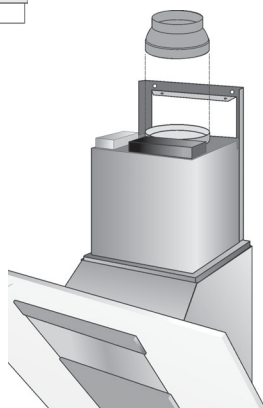
15



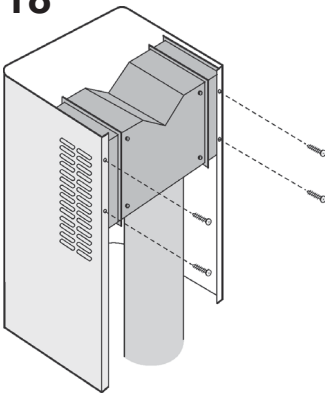
16



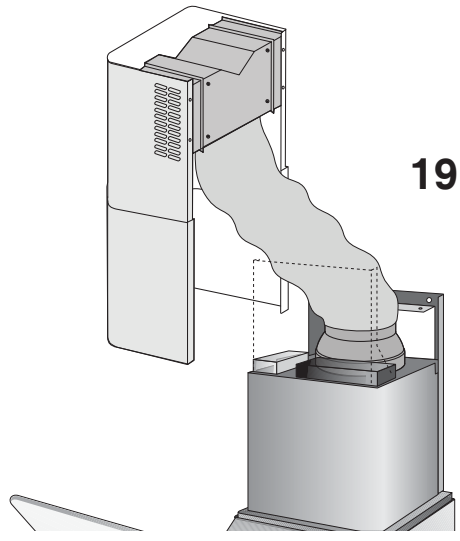
17



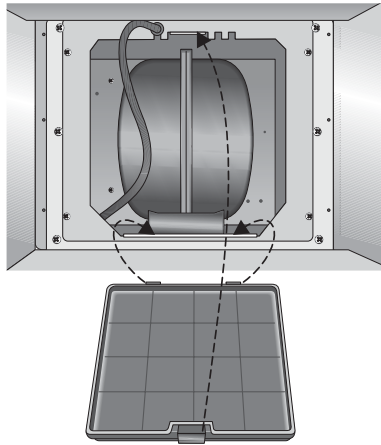
18



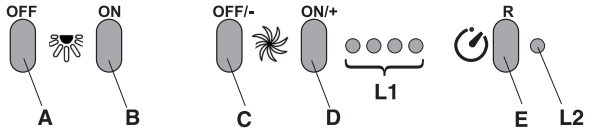
19



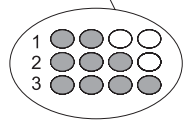
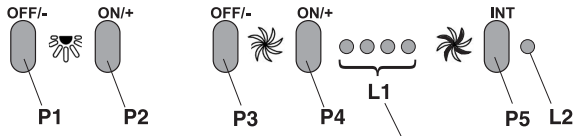
20



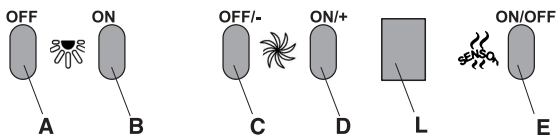
21



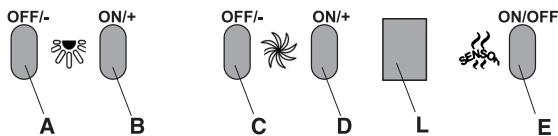
22



23



24

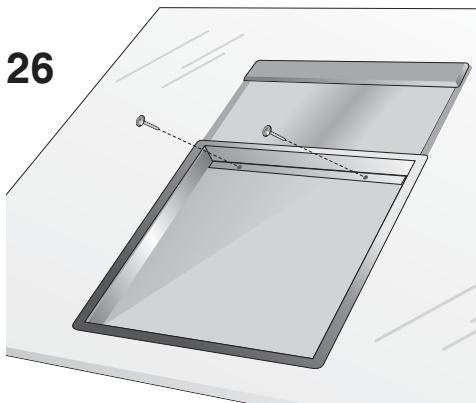


A 1 2 3 4 B C

25



26



27

